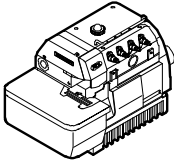
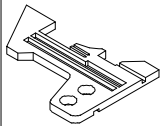
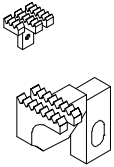
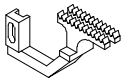
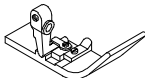
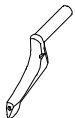
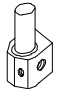

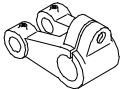


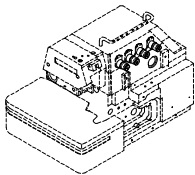
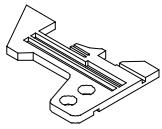
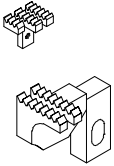
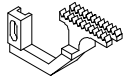
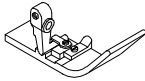
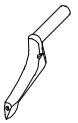
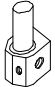

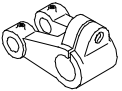


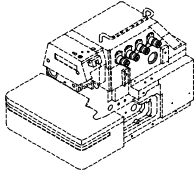
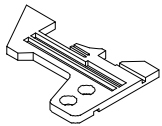
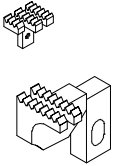
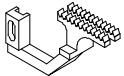

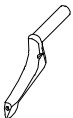
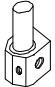

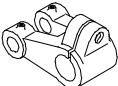


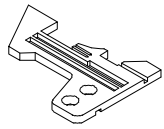
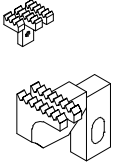
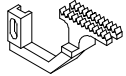
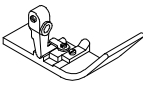

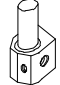

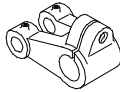




SIRUBA GAGE PARTS LIST		Series				Remark						Page	Date
		700F										1 / 5	2013/08/10
													
機 型 MODEL		針板 NEEDLE PLATE	送 具 FEED DOG		送 具 FEED DOG	押 具 PRESSER FOOT	勾 針 LOOPER	針留 NEEDLE CLAMP	束 子 COLLAR	衝 程 CRANK	衝 程 CRANK	針 號 NEEDLE	
737F	504M1-15	E934D	D438	D912	H442	P152D-2	LP26	KG131-E	KJ10F	KF25-A	KJ09B-E	DCX27#9	
	504M2-04	E800	D440	D095	H445	P253E-3	LP26	KG131-E	KJ10F	KF25-A	KJ09B-E	DCX27#11	
	504M2-04CT	E800C	D440	D095	H445	P253E-3	LP26	KG131-E	KJ10F	KF25-A	KJ09B-E	DCX27#11	
	504M2-04LFC-2	E800	D440	D095	H445	P101-3	LP26	KG131-E	KJ10F	KF25-A	KJ09B-E	DCX27#11	
	504M2-04LFC-2/EC	E800C	D440	D095	H445	P101-3	LP26	KG131-E	KJ10F	KF25-A	KJ09B-E	DCX27#11	
	504M2-04TR	E011	D015	D011	H445	P101-3	LP26	KG131-E	KJ10F	KF25-A	KJ09B-E	DCX27#11	
	504M2-04VT	E800	D440	D095	H445	P253E-3	LP26	KG131-E	KJ10F	KF25-A	KJ09B-E	DCX27#11	
	504M2-04WR/LF-B	E001					LP26	KG131-E	KJ10F	KF25-A	KJ09B-E	DCX27#11	
	504M3-05PZ	E797	D440	D674	H445	PZ01-A	LP26	KG131-E	KJ10F	KF25-A	KJ09B-E	DCX27#18	
	504M3-05	E797	D440	D674	H445	P230-3	LP26	KG131-E	KJ10F	KF25-A	KJ09B-E	DCX27#11	
	504M3-05CT	E797C	D440	D674	H445	P230-3	LP26	KG131-E	KJ10F	KF25-A	KJ09B-E	DCX27#11	
	504M3-05VT	E797	D440	D674	H445	P230-3	LP26	KG131-E	KJ10F	KF25-A	KJ09B-E	DCX27#11	
	504M5-04BK	E589F	D969	D675	H974	P975-3	LP26	KG131-E	KJ10F	KF25-A	KJ09B-E	DCX27#11	
	504M5-04BK/VT	E589F	D969	D675	H974	P975-3	LP26	KG131-E	KJ10F	KF25-A	KJ09B-E	DCX27#11	
	505F1-04	E784	D438	D674	H442	P152D-3	LP26	KG131-E	KJ10F	KF25-A	KJ09B-E	DCX27#9	
	505F1-04ES	E784	D438	D674	H442	P152D-3	LP26	KG131-E	KJ10F	KF25-A	KJ09B-E	DCX27#9	
	505F1-04VT	E784	D438	D674	H442	P152D-3	LP26	KG131-E	KJ10F	KF25-A	KJ09B-E	DCX27#9	
	504M3-04	E796	D440	D674	H445	P230-3	LP26	KG131-E	KJ10F	KF25-A	KJ09B-E	DCX27#11	
	505F1-04ES/VT	E784	D438	D674	H442	P152D-3	LP26	KG131-E	KJ10F	KF25-A	KJ09B-E	DCX27#9	
	504M2-04EC	E800C	D440	D095	H445	P253E-3	LP26	KG131-E	KJ10F	KF25-A	KJ09B-E	DCX27#11	

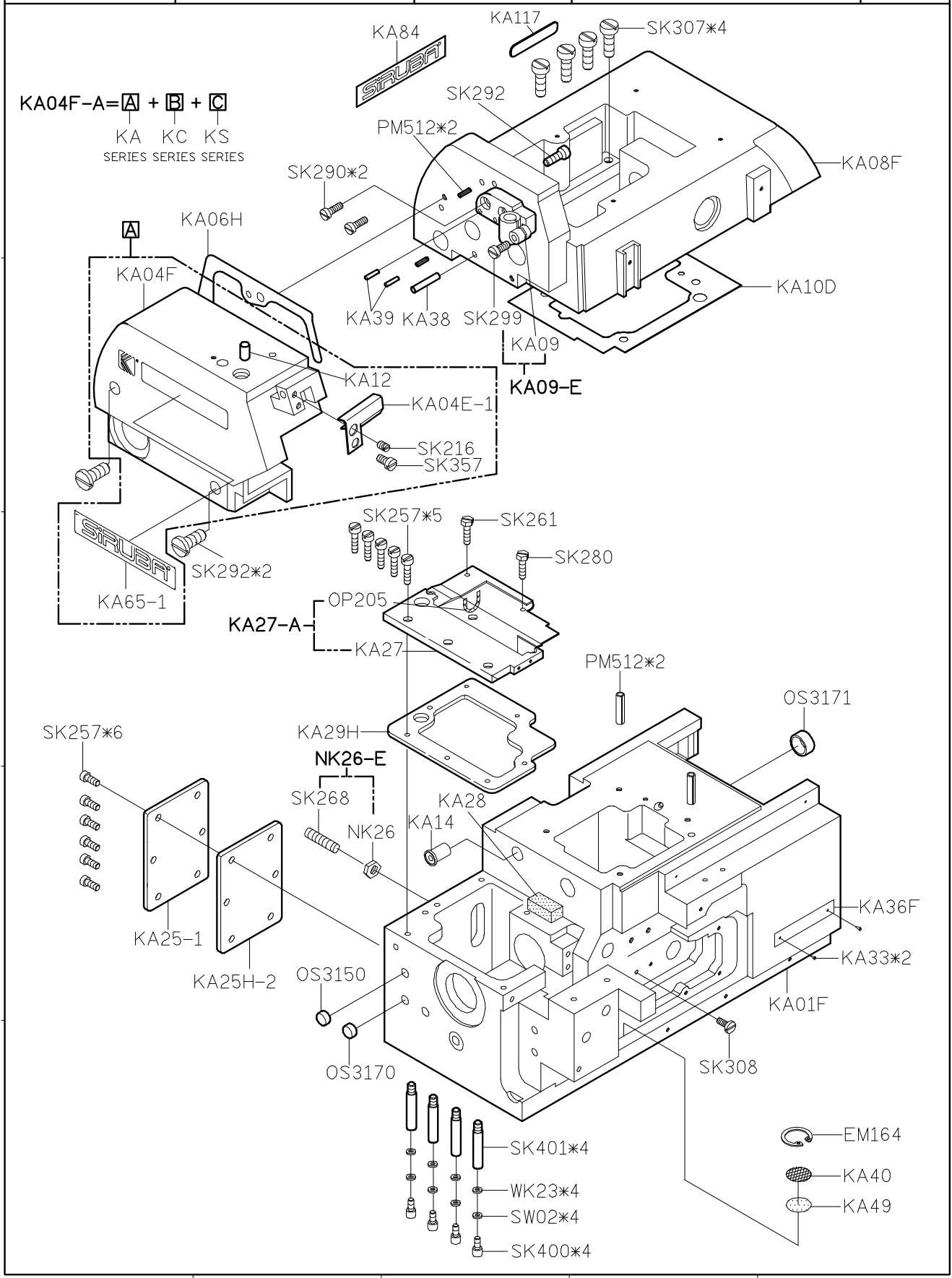
SIRUBA GAGE PARTS LIST		Series				Remark						Page	Date
		700F										2 / 5	2013/08/10
													
機 型 MODEL		針板 NEEDLE PLATE	送 具 FEED DOG		送 具 FEED DOG	押 具 PRESSER FOOT	勾 針 LOOPER	針留 NEEDLE CLAMP	束 子 COLLAR	衝 程 CRANK	衝 程 CRANK	針 號 NEEDLE	
737F	504M1-15VT	E934D	D438	D912	H442	P152D-5	LP26	KG131-E	KJ10F	KF25-A	KJ09B-E	DCX27#9	
	504M2-04TR/EC	E011C	D011	D015	H445	P101-3	LP26	KG131-E	KJ10F	KF25-A	KJ09B-E	DCX27#11	
	504F1-04	E784	D438	D674	H442	P152D-3	LP26	KG131-E	KJ10F	KF25-A	KJ09B-E	DCX27#9	
	504F1-15	E471	D471	D472	H471	P471-A	LP26	KG131-E	KJ10F	KF25-A	KJ09B-E	DCX27#9	
747F	512M1-25	E920	D440	D095	H445	P253E-4	LP36	KG142-E	KJ13F	KF26-A	KJ11B-E	DCX27#11*2	
	512M1-25CT	E920C	D440	D095	H445	P253E-4	LP36	KG142-E	KJ13F	KF26-A	KJ11B-E	DCX27#11*2	
	514H4-24GA	E919	D958	D095	H959	P136-A	LP26	KG142-E	KJ13F	KF26-A	KJ11B-E	DCX27#11*2	
	514H4-24GA/CT	E919C	D958	D095	H959	P136-A	LP26	KG142-E	KJ13F	KF26-A	KJ11B-E	DCX27#11*2	
	514H4-24GA/EC	E919C	D958	D095	H959	P136-A	LP26	KG142-E	KJ13F	KF26-A	KJ11B-E	DCX27#11*2	
	514H4-24GA/P	E919	D958	D095	H959	P136P-A	LP26	KG142-E	KJ13F	KF26-A	KJ11B-E	DCX27#11*2	
	514M2-24	E919	D440	D095	H445	P253E-4	LP26	KG142-E	KJ13F	KF26-A	KJ11B-E	DCX27#11*2	
	514M2-24CT	E919C	D440	D095	H445	P253E-4	LP26	KG142-E	KJ13F	KF26-A	KJ11B-E	DCX27#11*2	
	514M2-24EC	E919C	D440	D095	H445	P253E-4	LP26	KG142-E	KJ13F	KF26-A	KJ11B-E	DCX27#11*2	
	514M2-24LF-B	E919	D440	D095	H445	P101-4	LP26	KG142-E	KJ13F	KF26-A	KJ11B-E	DCX27#11*2	
	514M2-24LFC-2	E919	D440	D095	H445	P101-4	LP26	KG142-E	KJ13F	KF26-A	KJ11B-E	DCX27#11*2	
	514M2-24LFC-2/EC	E919C	D440	D095	H445	P101-4	LP26	KG142-E	KJ13F	KF26-A	KJ11B-E	DCX27#11*2	
	514M2-24TG	E919	D440	D095	H445	P254G-4	LP26	KG142-E	KJ13F	KF26-A	KJ11B-E	DCX27#11*2	
	514M2-24TG/EC	E919C	D440	D095	H445	P254G-4	LP26	KG142-E	KJ13F	KF26-A	KJ11B-E	DCX27#11*2	
514M2-24VT	E919	D440	D095	H445	P253E-4	LP26	KG142-E	KJ13F	KF26-A	KJ11B-E	DCX27#11*2		
514M2-25TG	E920	D440	D095	H445	P253G-4	LP26	KG142-E	KJ13F	KF26-A	KJ11B-E	DCX27#11*2		

SIRUBA GAGE PARTS LIST		Series				Remark						Page	Date
		700F										3 / 5	2013/08/10
													
機 型 MODEL		針板 NEEDLE PLATE	送 具 FEED DOG		送 具 FEED DOG	押 具 PRESSER FOOT	勾 針 LOOPER	針留 NEEDLE CLAMP	束 子 COLLAR	衝 程 CRANK	衝 程 CRANK	針 號 NEEDLE	
747F	514M2-25	E920	D440	D095	H445	P253E-4	LP26	KG142-E	KJ13F	KF26-A	KJ11B-E	DCX27#11*2	
	514M2-25CT	E920C	D440	D095	H445	P253E-4	LP26	KG142-E	KJ13F	KF26-A	KJ11B-E	DCX27#11*2	
	514M2-28	E992	D440	D095	H445	P992-A	LP26	KG142-E	KJ13F	KF26-A	KJ11B-E	DCX27#11*2	
	514M4-23	E804	D440	D674	H445	P230-A	LP26	KG142-E	KJ13F	KF25-A	KJ11B-E	DCX27#11*2	
	514M4-23CT	E804C	D440	D674	H445	P230-A	LP26	KG142-E	KJ13F	KF25-A	KJ11B-E	DCX27#11*2	
	514M5-23BK	E591B	D969	D675	H974	P975-4	LP26	KG142-E	KJ13F	KF26-A	KJ11B-E	DCX27#11*2	
	514M7-23	E804A	D441	D674	H446	P230-A	LP38	KG142-E	KJ13F	KF26-A	KJ11B-E	DCX27#16*2	
	514M7-23CT	E804AC	D441	D674	H446	P230-A	LP38	KG142-E	KJ13F	KF26-A	KJ11B-E	DCX27#11*2	
	514M7-24	E919A	D441	D095	H446	P253E-4	LP38	KG142-E	KJ13F	KF26-A	KJ11B-E	DCX27#16*2	
	514M7-24CT	E919AC	D441	D095	H446	P253E-4	LP38	KG142-E	KJ13F	KF26-A	KJ11B-E	DCX27#16*2	
	514M7-24TG	E919A	D441	D095	H446	P254G-4	LP38	KG142-E	KJ13F	KF26-A	KJ11B-E	DCX27#16*2	
	514M7-25	E920A	D441	D095	H446	P253E-4	LP38	KG142-E	KJ13F	KF26-A	KJ11B-E	DCX27#16*2	
	514M7-25BK	E920B	D441B	D095	H446B	P253E-4	LP38	KG142-E	KJ13F	KF26-A	KJ11B-E	DCX27#16*2	
	514M7-25BK/AN	E920B	D441B	D095	H446B	P253E-4	LP38	KG142-E	KJ13F	KF26-A	KJ11B-E	DCX27#16*2	
	514M7-25AN	E920A	D441	D095	H446	P253E-4	LP38	KG142-E	KJ13F	KF26-A	KJ11B-E	DCX27#16*2	
	514M7-25CT	E920AC	D441	D095	H446	P253E-4	LP38	KG142-E	KJ13F	KF26-A	KJ11B-E	DCX27#16*2	
	514M7-25TG	E920A	D441	D095	H446	P254G-4	LP38	KG142-E	KJ13F	KF26-A	KJ11B-E	DCX27#16*2	
	514M7-25TG/AN	E920A	D441	D095	H446	P254G-4	LP38	KG142-E	KJ13F	KF26-A	KJ11B-E	DCX27#16*2	
	514F1-24	E990	D438	D674	H442	P152D-4	LP26	KG142-E	KJ13F	KF26-A	KJ11B-E	DCX27#11*2	
514M5-23BK/VT	E591B	D675	D969	H974	P975-4	LP26	KG142-E	KJ13F	KF26-A	KJ11B-E	DCX27#11*2		

SIRUBA GAGE PARTS LIST		Series				Remark						Page	Date
		700F										4 / 5	2013/08/10
													
機 型 MODEL		針板 NEEDLE PLATE	送 具 FEED DOG		送 具 FEED DOG	押 具 PRESSER FOOT	勾 針 LOOPER	針留 NEEDLE CLAMP	束 子 COLLAR	衝 程 CRANK	衝 程 CRANK	針 號 NEEDLE	
747F	512M1-34	E832	D440	D095	H447	P253E-A	LP36	KG143-E	KJ13F	KF26-A	KJ11B-E	DCX27#14*2	
757F	401M1/TW	E110			H101	P767-A	LP26	KG153-E		KF26-A		DCX27#14*2	
	401M2-50TA	E005	D005	D006	H005	P005-A		TA155-E		KF26-A		DCX27#14*2	
	401M2-50TA/EC	E005C	D005	D006	H005	P005-A		TA155-E		KF26-A		DCX27#14*2	
	516H2-56	E868	D490	D502	H501	P502-A	LP38	KG155-E	KJ13F	KF26-A	KJ11B-E	DCX27#18*2	
	516H2-56CT	E868C	D490	D502	H501	P502-A	LP38	KG155-E	KJ13F	KF26-A	KJ11B-E	DCX27#18*2	
	516H4-35GA	E982	D008	D502	H957	P508-A	LP26	KG153-E	KJ10F	KF25-A	KJ09B-E	DCX27#14*2	
	516H4-35GA/EC	E982C	D008	D502	H957	P508-A	LP26	KG153-E	KJ10F	KF25-A	KJ09B-E	DCX27#14*2	
	516H4-35GA/P	E982	D008	D502	H957	P508P-A	LP26	KG153-E	KJ10F	KF25-A	KJ09B-E	DCX27#14*2	
	516H4-35GA/P/EC	E982C	D008	D502	H957	P508P-A	LP26	KG153-E	KJ10F	KF25-A	KJ09B-E	DCX27#14*2	
	516H4-55GA	E986	D956	D502	H957	P509-A	LP26	KG155-E	KJ10F	KF25-A	KJ09B-E	DCX27#14*2	
	516H4-55GA/EC	E986C	D956	D502	H957	P509-A	LP26	KG155-E	KJ10F	KF25-A	KJ09B-E	DCX27#14*2	
	516H4-55GA/P	E986	D956	D502	H957	P509P-A	LP26	KG155-E	KJ10F	KF25-A	KJ09B-E	DCX27#14*2	
	516H4-55GA/P/EC	E986C	D956	D502	H957	P509P-A	LP26	KG155-E	KJ10F	KF25-A	KJ09B-E	DCX27#14*2	
	516L1-24	E834	D487	D060	H492	P500-A	LP26	KG152-E	KJ10F	KF25-A	KJ09B-E	DCX27#14*2	
	516L1-24CT	E834C	D487	D060	H492	P500-A	LP26	KG152-E	KJ10F	KF25-A	KJ09B-E	DCX27#14*2	
	516L1-35	E839	D487	D060	H492	P504-A	LP26	KG153-E	KJ10F	KF25-A	KJ09B-E	DCX27#14*2	
516L1-35CT	E839C	D487	D060	H492	P504-A	LP26	KG153-E	KJ10F	KF25-A	KJ09B-E	DCX27#14*2		
516M2-35	E982	D489	D502	H497	P504-A	LP26	KG153-E	KJ10F	KF25-A	KJ11B-E	DCX27#14*2		
516M2-35CT	E982C	D489	D502	H497	P504-A	LP26	KG153-E	KJ10F	KF25-A	KJ11B-E	DCX27#14*2		

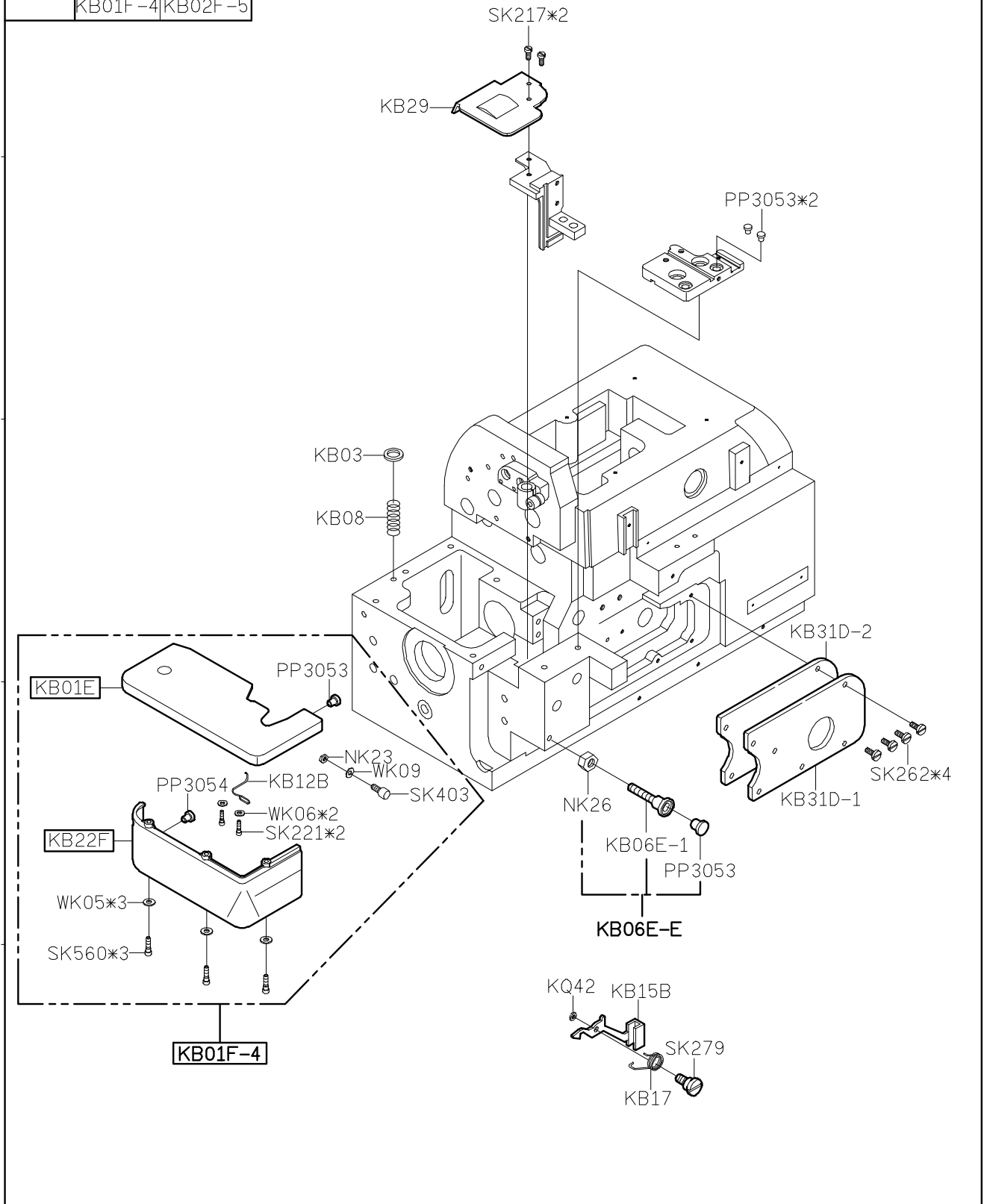


<b>SIRUBA</b> <b>PARTS LIST</b>	<b>Series</b>	<b>Parts Group</b>	<b>Subclass / Remark</b>	<b>Page</b>
	<b>700F</b>	<b>KA</b>		1/1
				Date
				2013/08/10

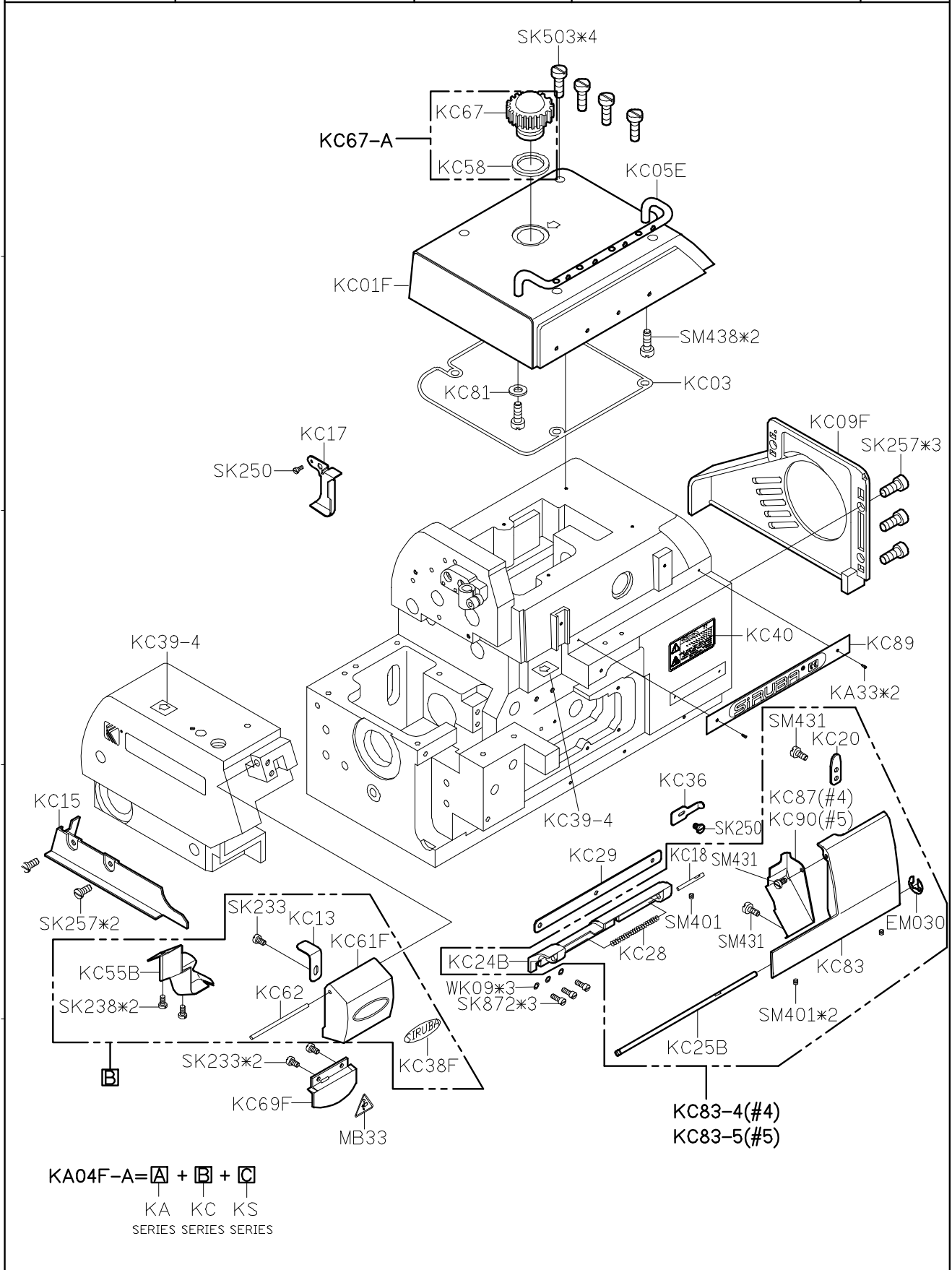


<b>SIRUBA</b> <b>PARTS LIST</b>	<b>Series</b>	<b>Parts Group</b>	<b>Subclass / Remark</b>	<b>Page</b>
	<b>700F</b>	<b>KB</b>		1/1
				Date
				2013/08/10

MODEL	#3/#4	#5/#6
PARTS NO	KB01E	KB02E
	KB22F	KB23F
	KB01F-4	KB02F-5



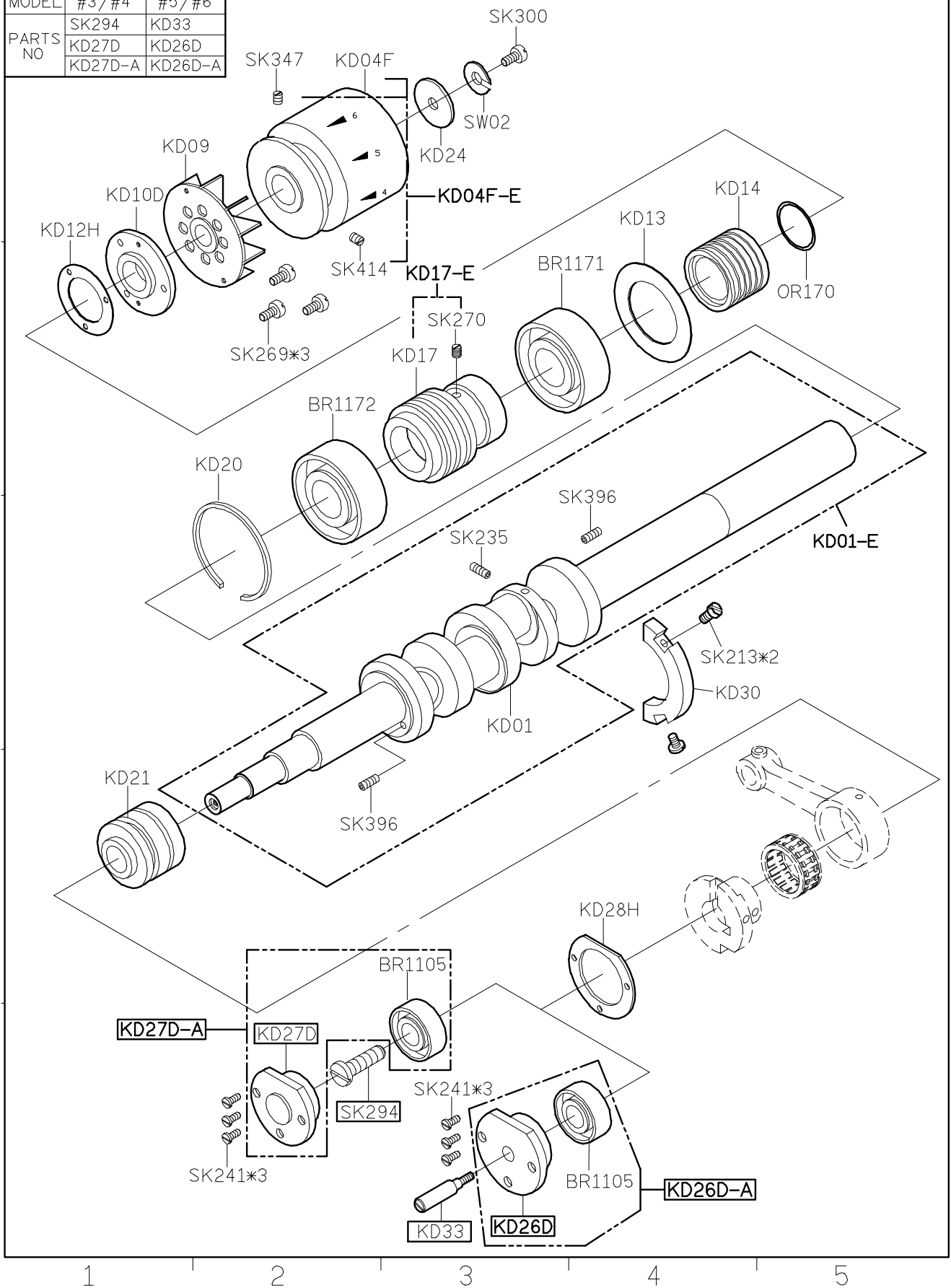
SIRUBA PARTS LIST	Series	Parts Group	Subclass / Remark	Page
	700F	KC		1/1
				Date
				2013/08/10



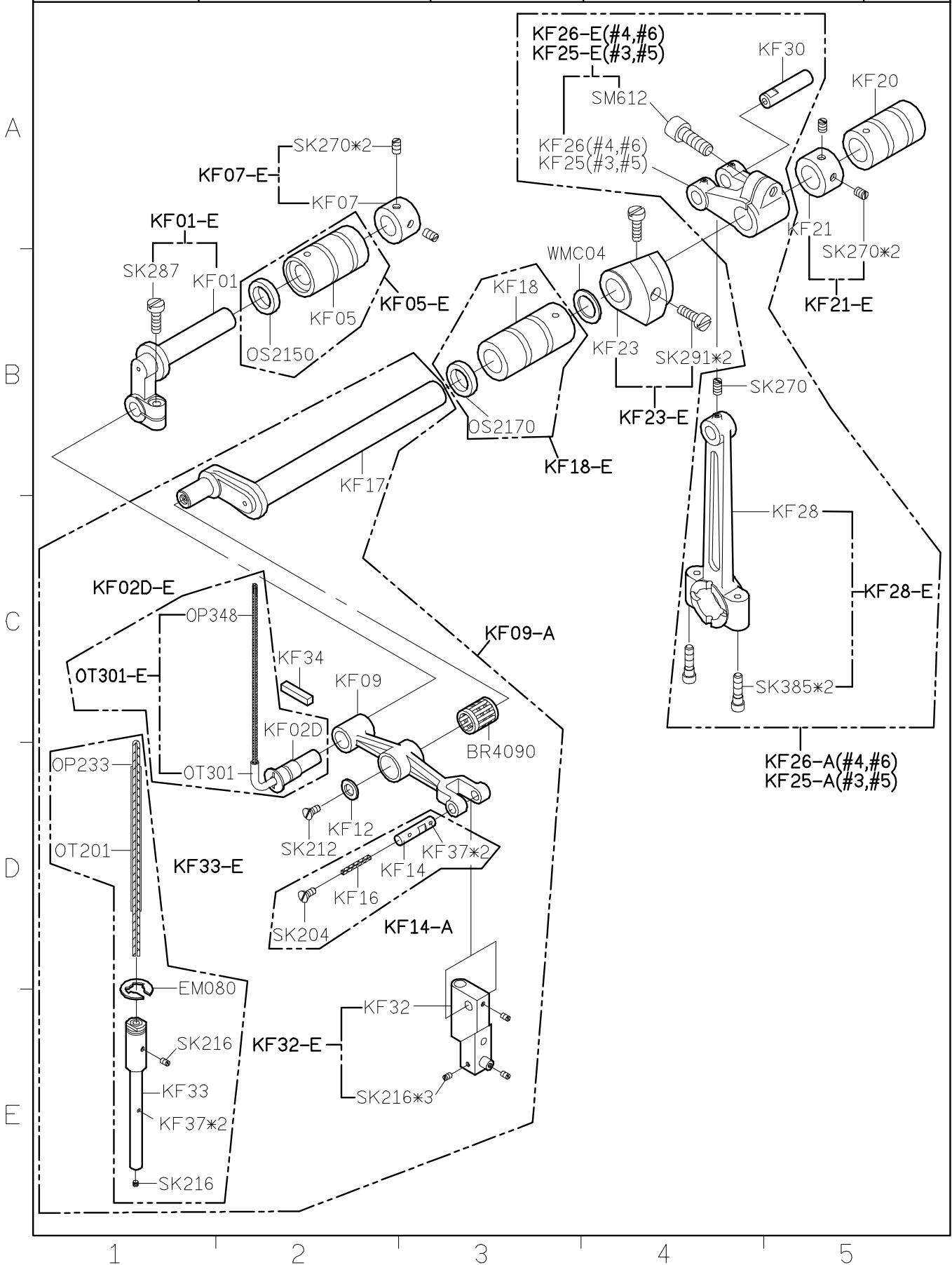


<b>SIRUBA</b> <b>PARTS LIST</b>	<b>Series</b>	<b>Parts Group</b>	<b>Subclass / Remark</b>	<b>Page</b>
	<b>700F</b>	<b>KD</b>		1/1
				Date
				2013/08/10

MODEL	#3/#4	#5/#6
PARTS NO	SK294 KD27D KD27D-A	KD33 KD26D KD26D-A

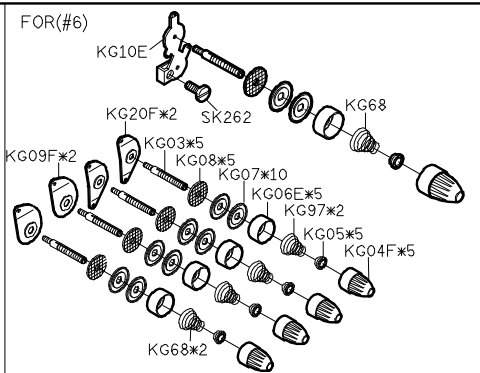
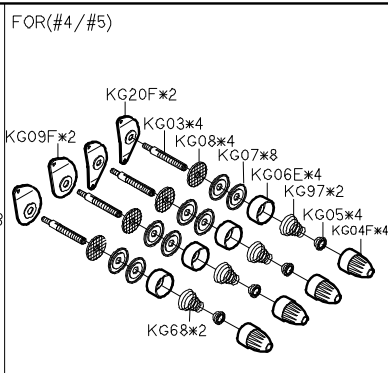
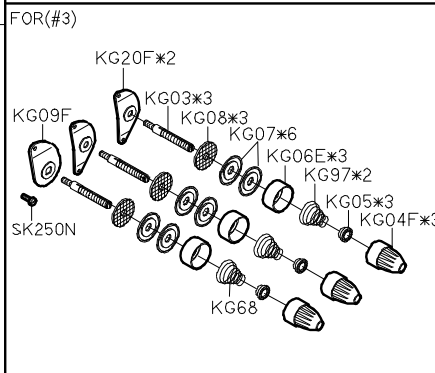
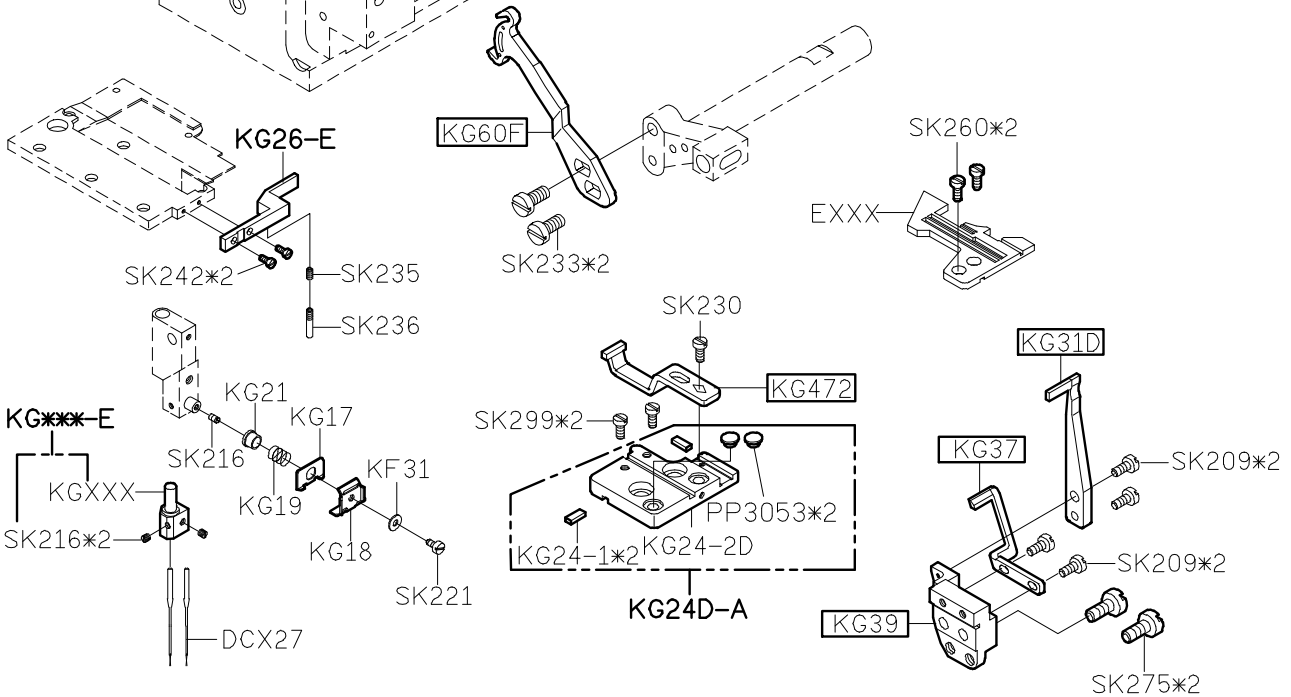
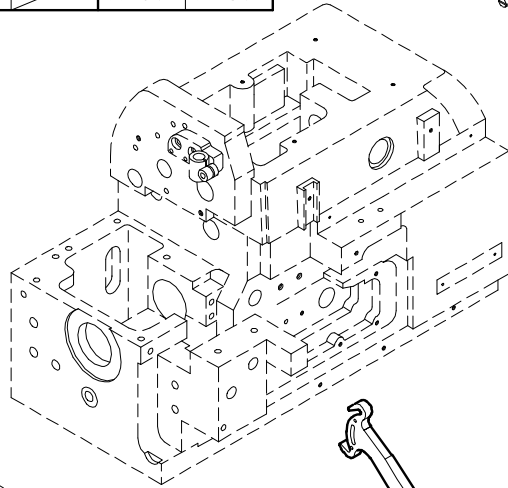
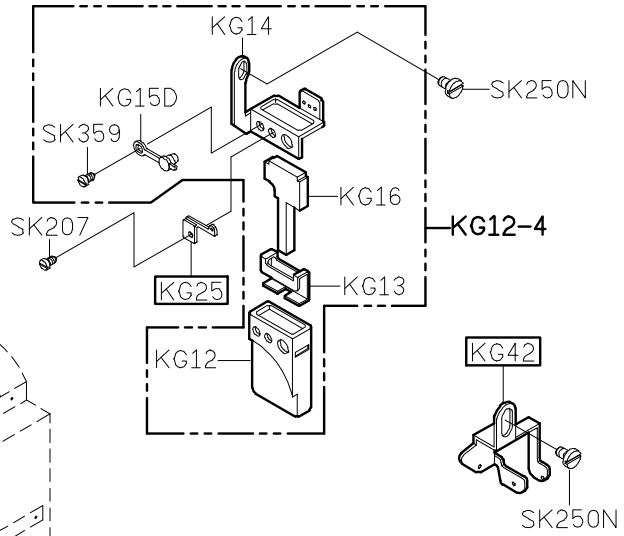


SIRUBA PARTS LIST	Series	Parts Group	Subclass / Remark	Page
	700F	KF		1/1
				Date
				2013/08/10

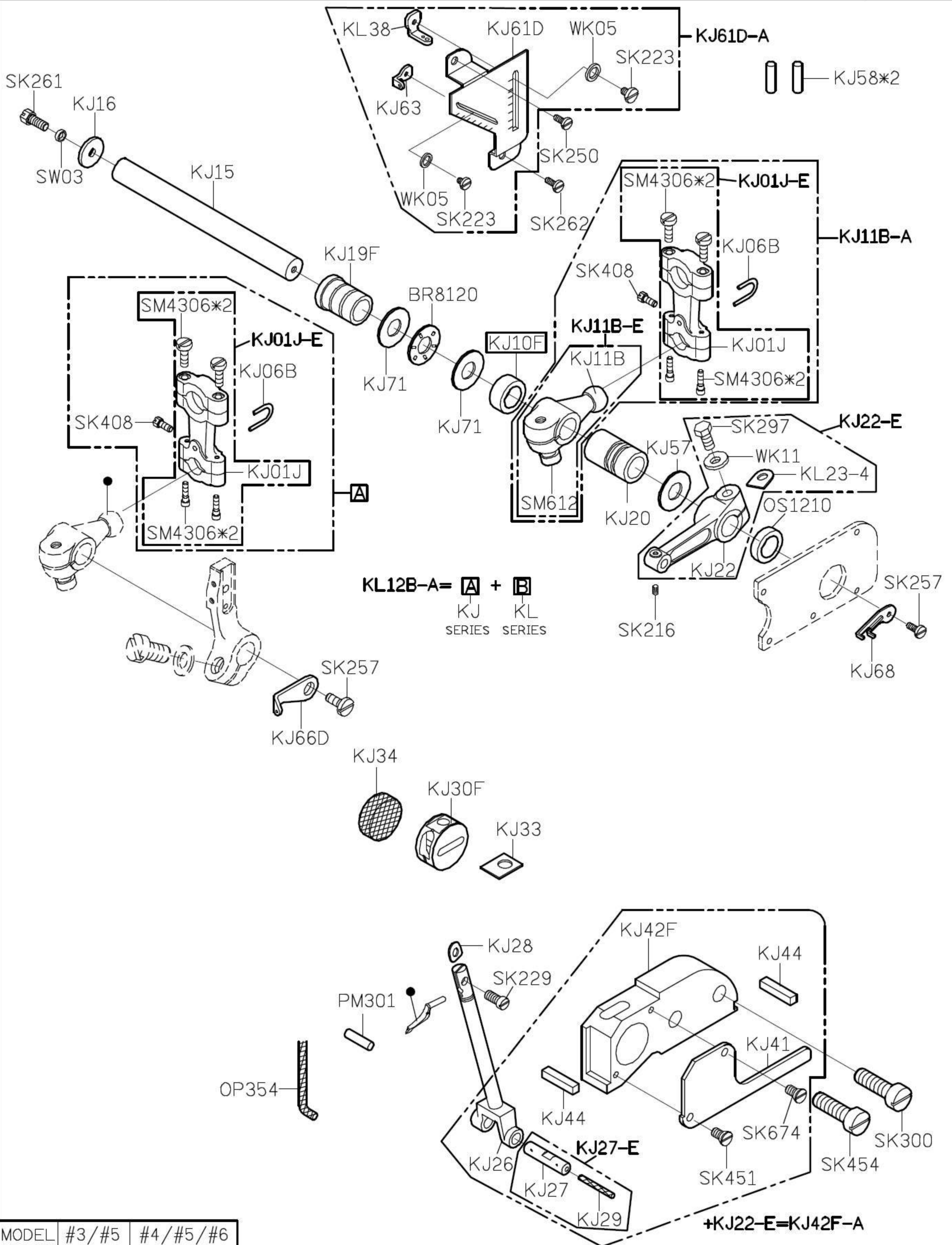


<b>SIRUBA</b> <b>PARTS LIST</b>	<b>Series</b>		<b>Parts Group</b>	<b>Subclass / Remark</b>	<b>Page</b>
	<b>700F</b>		<b>KG</b>		1/1
					<b>Date</b>
					2013/08/10

MODEL	#3	#4	#5	#6
PARTS NO	KG60F	KG60F	KG11F	KG11F
			KG25	KG25
	KG42	KG54	KG42	KG54
	KG471	KG472	KG35	KG35
			KG31D	KG32D
			KG37	KG37
		KG39	KG39	



1 2 3 4 5



MODEL	#3/#5	#4/#5/#6
PARTS NO	KJ10F	KJ13F

SIRUBA PARTS LIST	Series		Parts Group	Subclass / Remark	Page
	700F		KL		1/1
					Date
				2013/08/10	

MODEL	#3/#4	#5/#6
PARTS NO	KL57	KL16
	KL15	KL11
	KL12B	KL09B
	KL12B-E	KL09B-E
	KL12B-A	KL09B-A

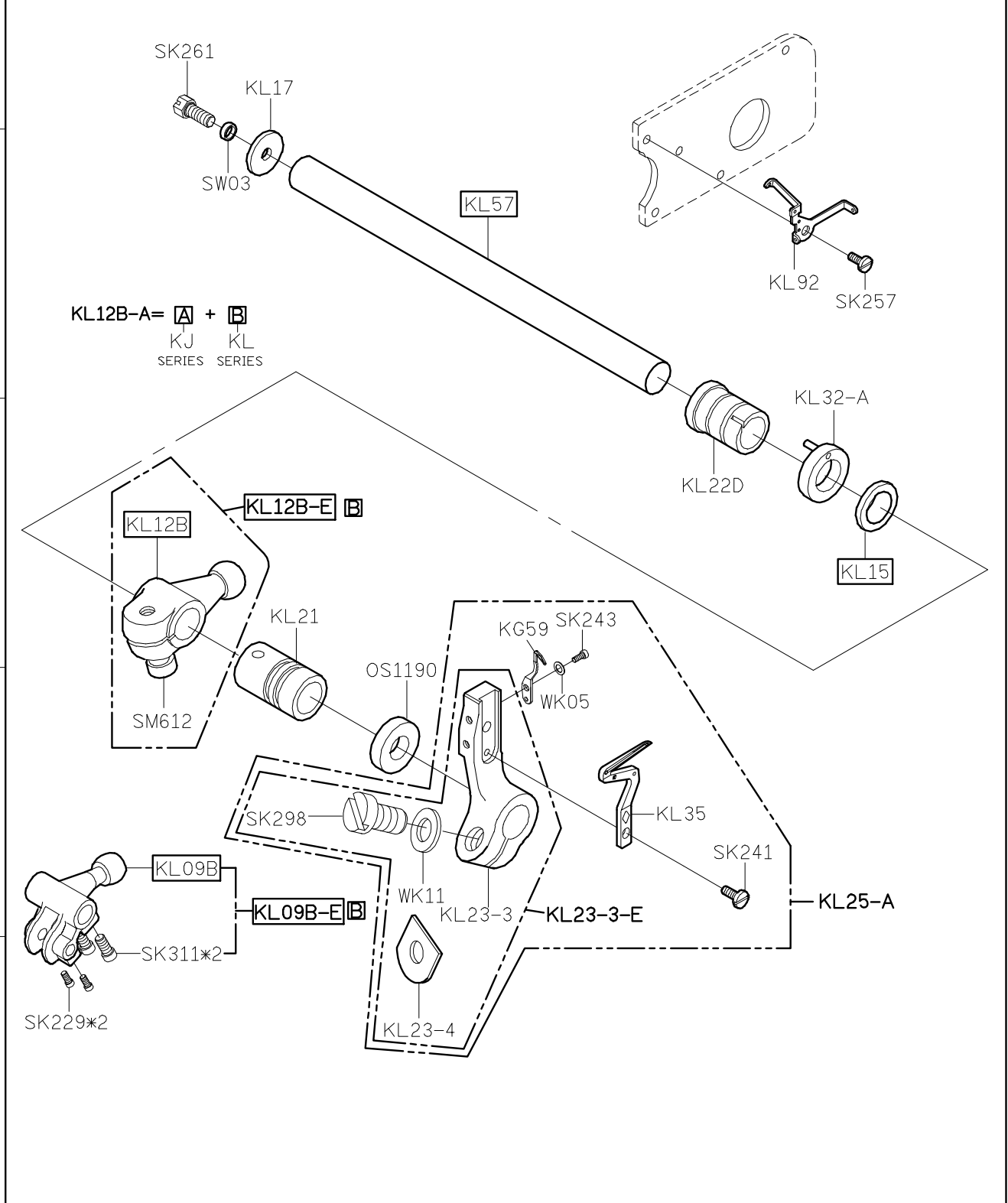
A

B

C

D

E



1

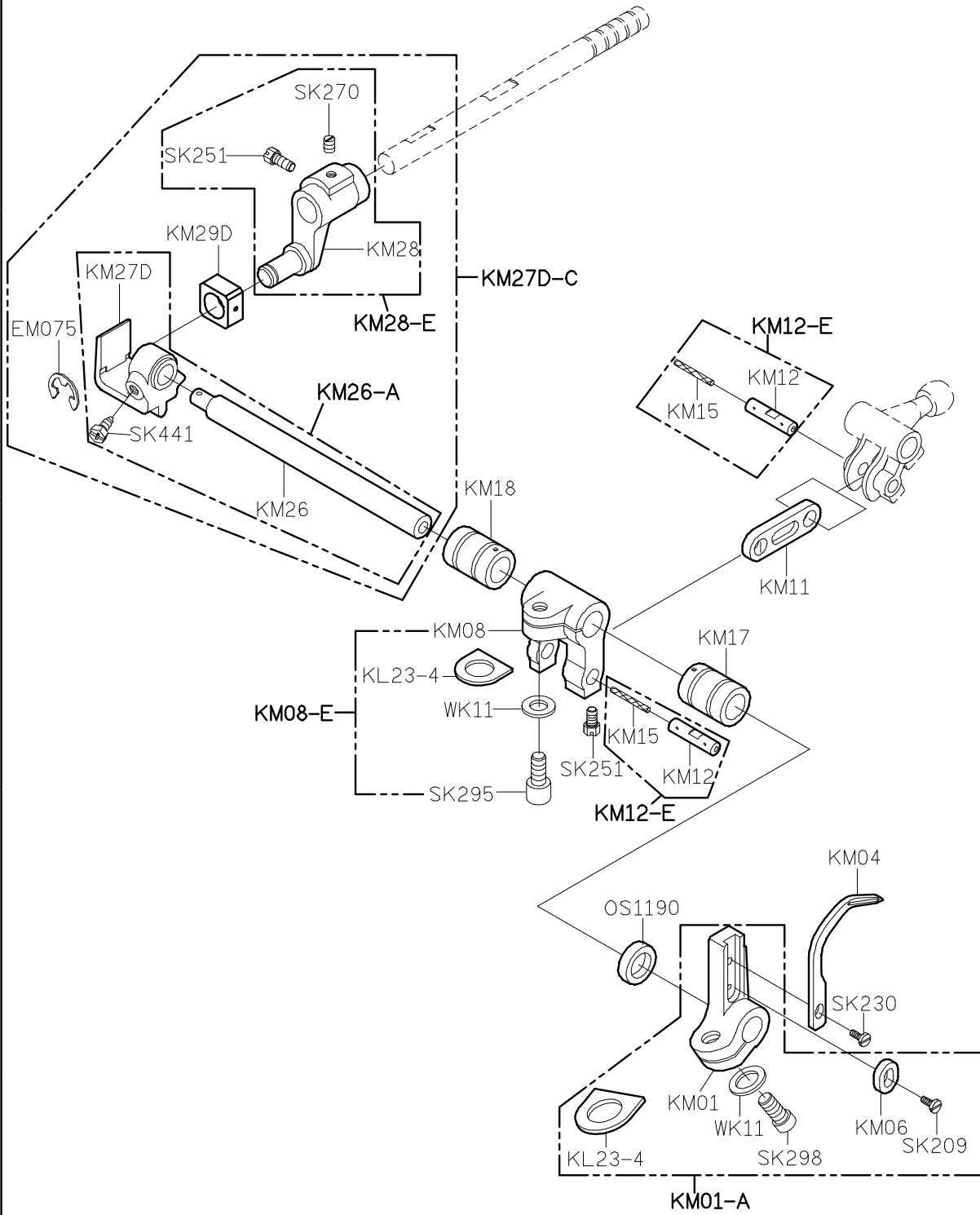
2

3

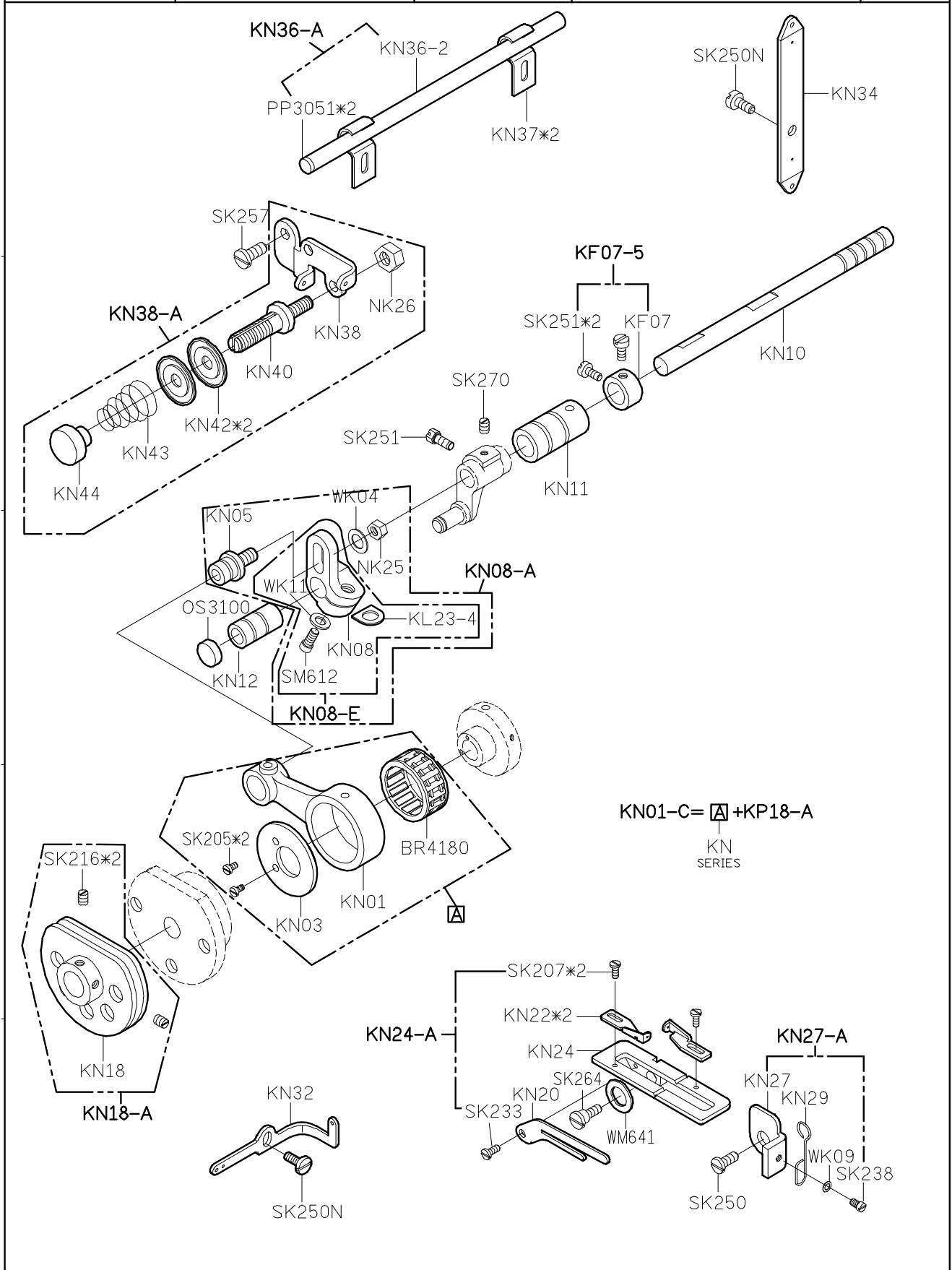
4

5

SIRUBA PARTS LIST	Series	Parts Group	Subclass / Remark	Page
	700F	KM		1/1
				Date
				2013/08/10



SIRUBA PARTS LIST	Series	Parts Group	Subclass / Remark	Page
	700F	KN		1/1
				Date
				2013/08/10



1

2

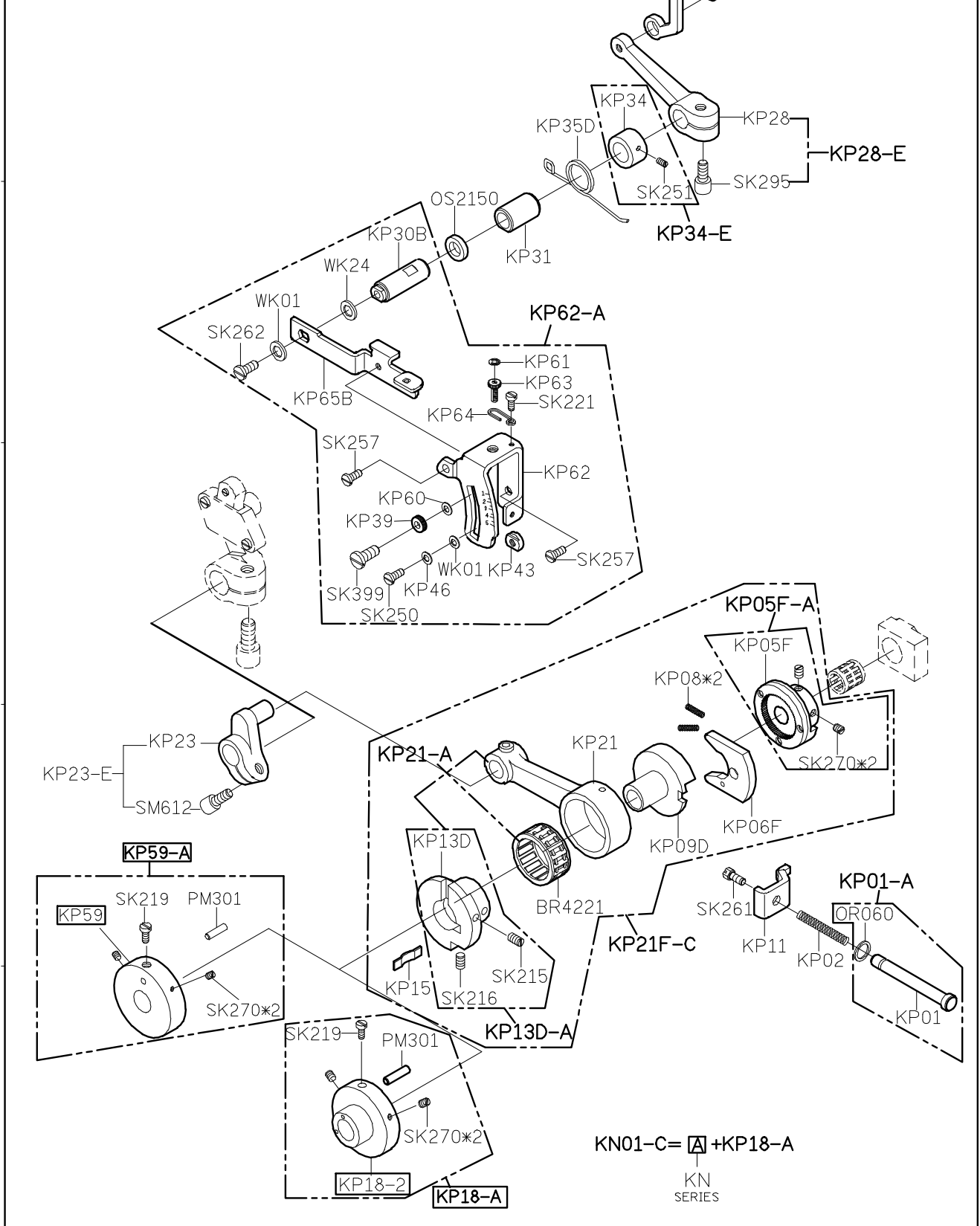
3

4

5

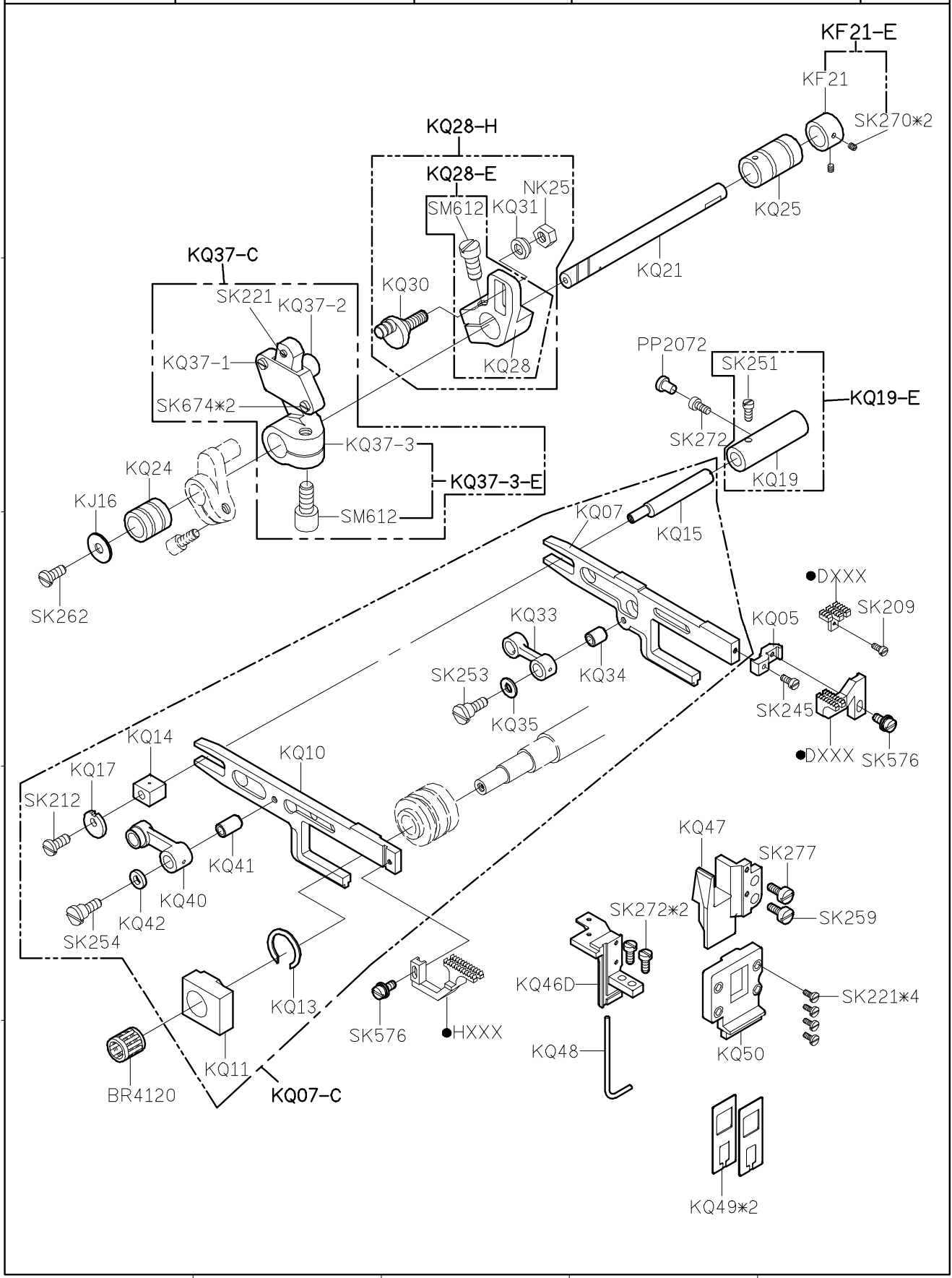
<b>SIRUBA</b> <b>PARTS LIST</b>	<b>Series</b>	<b>Parts Group</b>	<b>Subclass / Remark</b>	<b>Page</b>
	<b>700F</b>	<b>KP</b>		1/1
				Date
				2013/08/10

MODEL	#3/#4	#5/#6
PARTS NO	KP59	KP18-2
	KP59-A	KP18-A

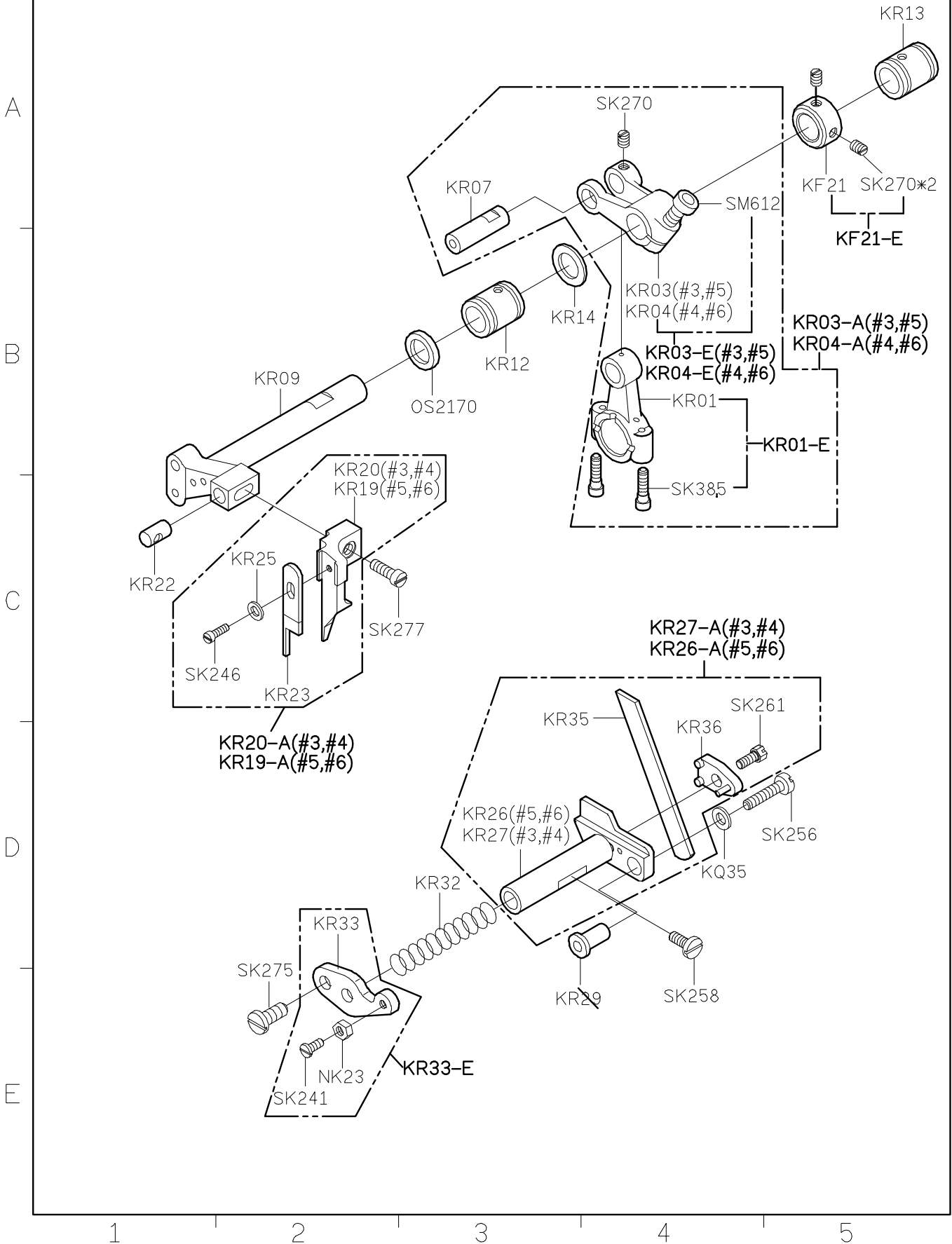






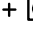
SIRUBA PARTS LIST	Series	Parts Group	Subclass / Remark	Page
	700F	KQ		1/1
				Date
				2013/08/10

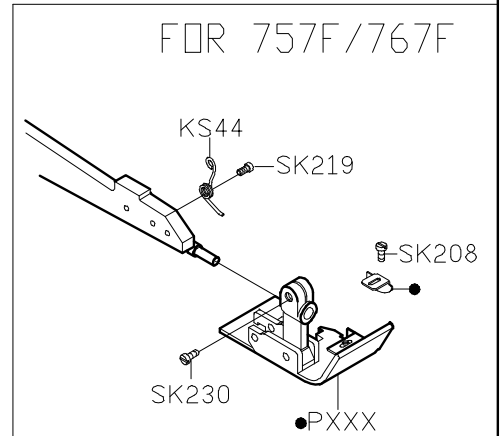
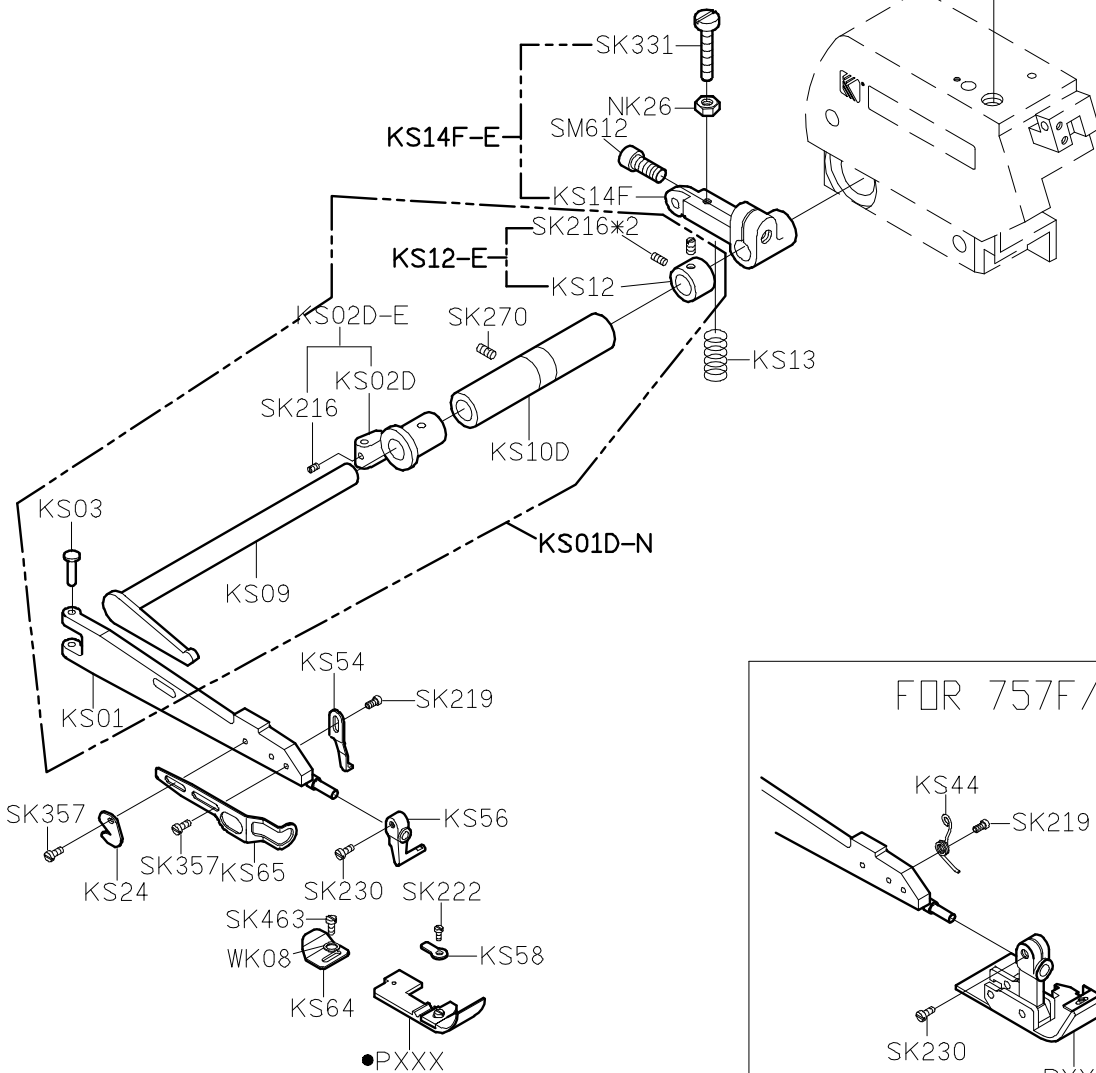
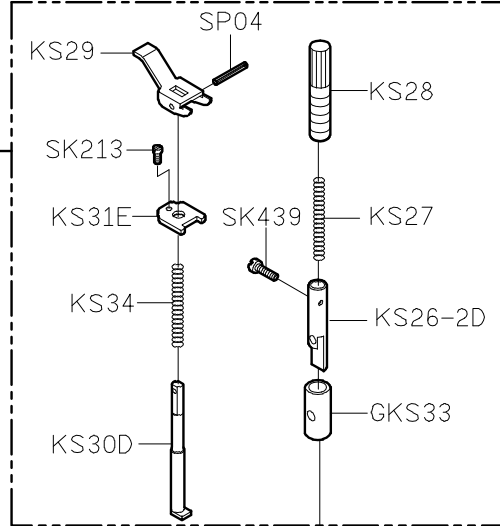
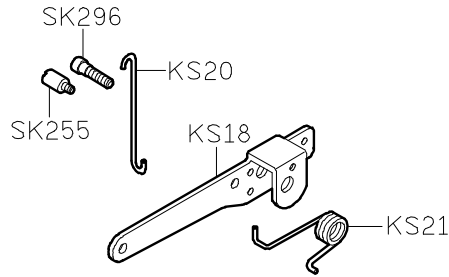


SIRUBA PARTS LIST	Series	Parts Group	Subclass / Remark	Page
	700F	KR		1/1
				Date
				2013/08/10

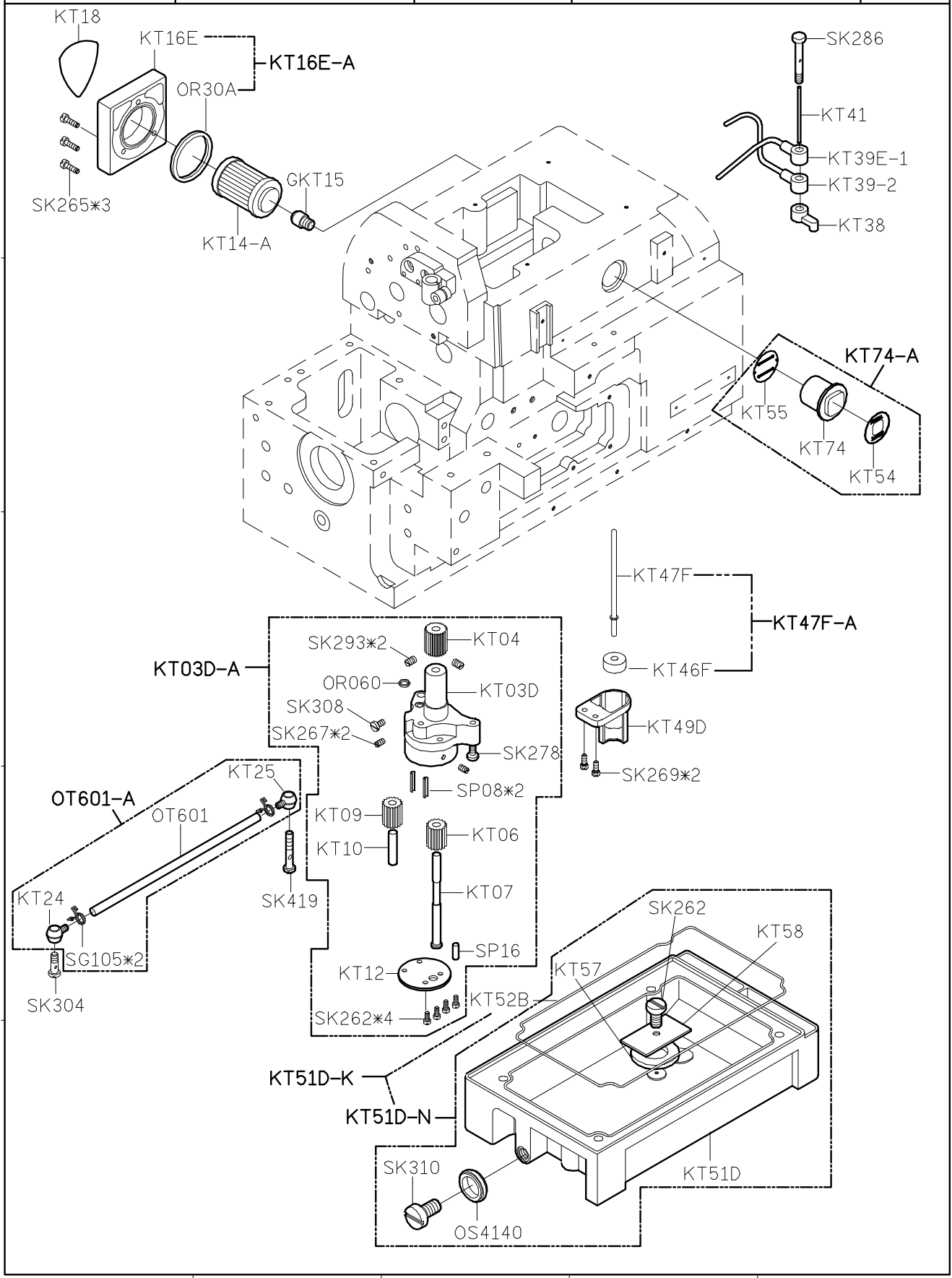


<b>SIRUBA</b> <b>PARTS LIST</b>	<b>Series</b>	<b>Parts Group</b>	<b>Subclass / Remark</b>	<b>Page</b>
	<b>700F</b>	<b>KS</b>		1/1
				Date
				2013/08/10

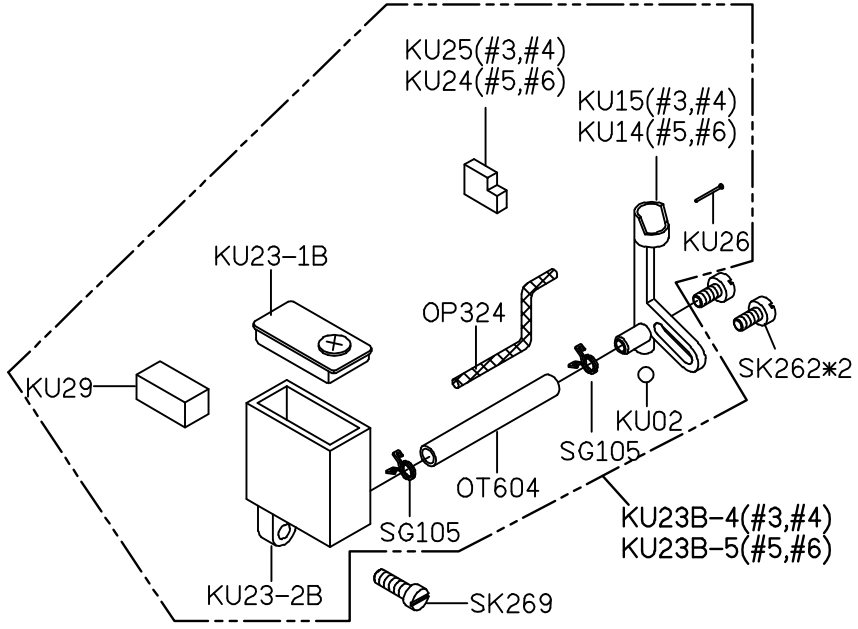
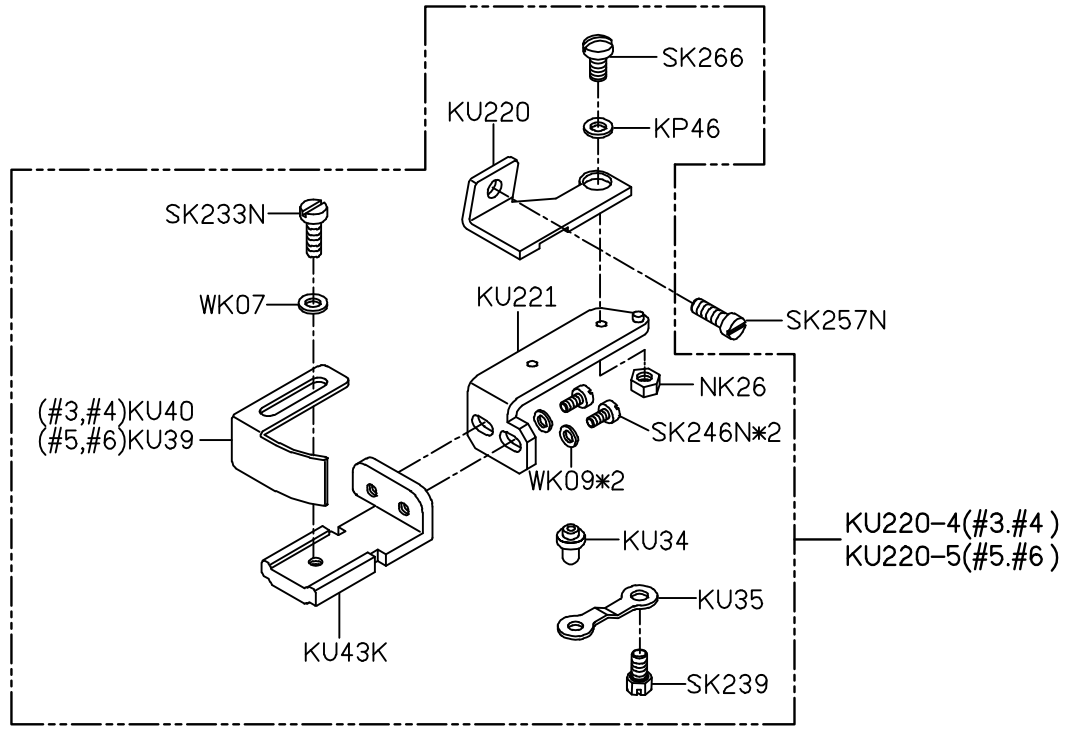
KA04F-A=  +  +   
 KA KC KS  
 SERIES SERIES SERIES



SIRUBA PARTS LIST	Series	Parts Group	Subclass / Remark	Page
	700F	KT		1/1
				Date
				2013/08/10



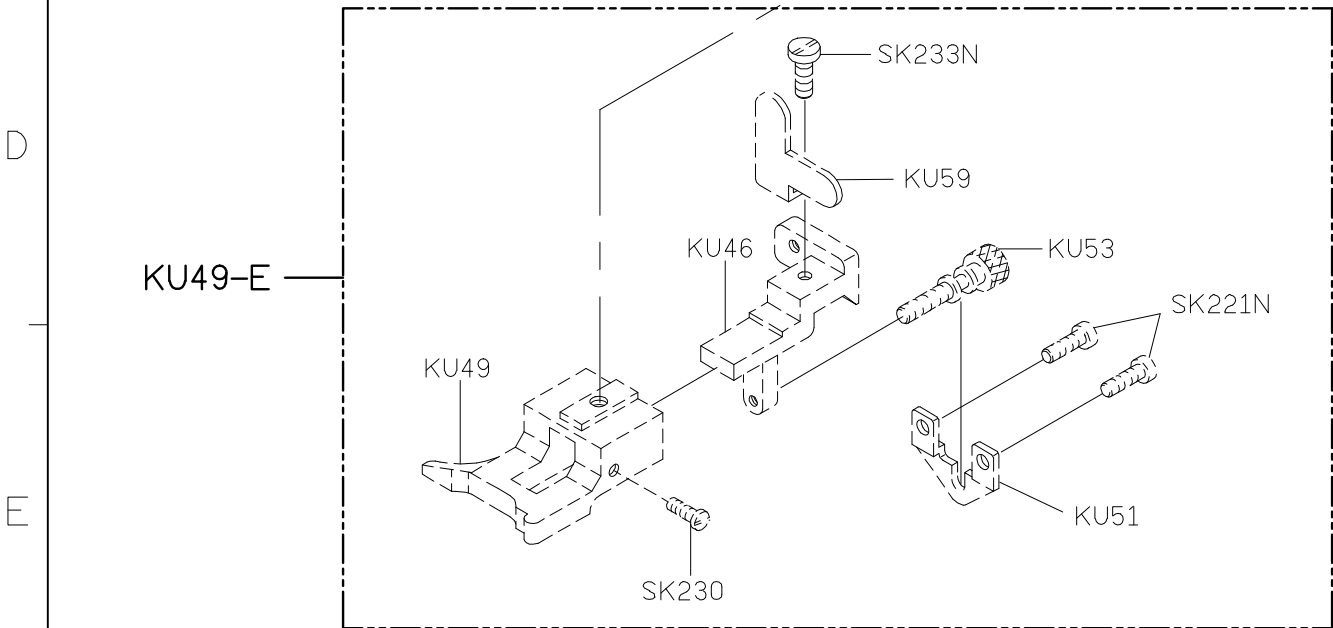
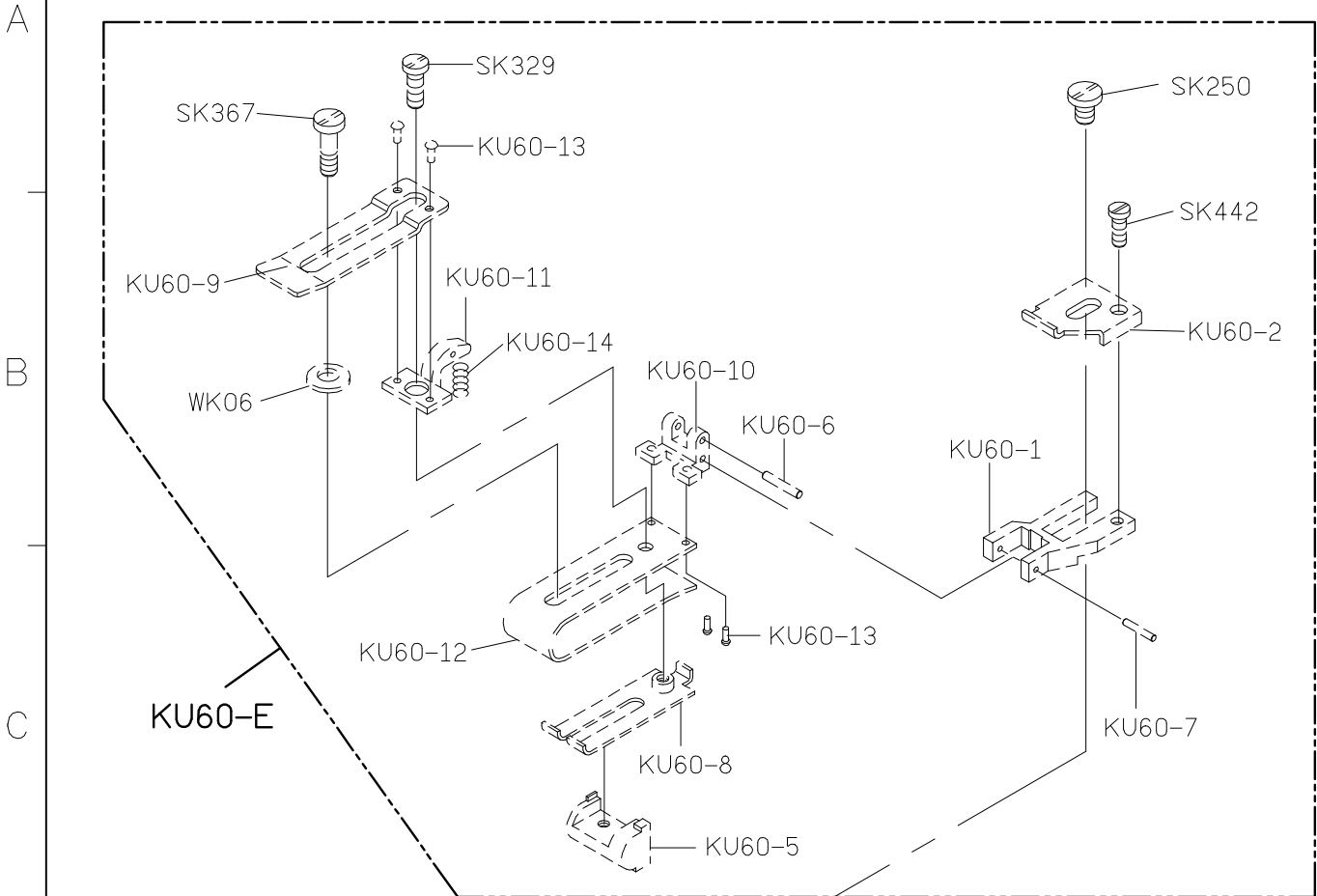
A  
B  
C  
D  
E



SIRUBA PARTS LIST	Series	Parts Group	Subclass / Remark	Page
	700F	KU		2/2
				Date
				2013/08/10

FOR 505F1 USE OTHERS OPTION

KU60-A=KU60-E+KU49-E



1

2

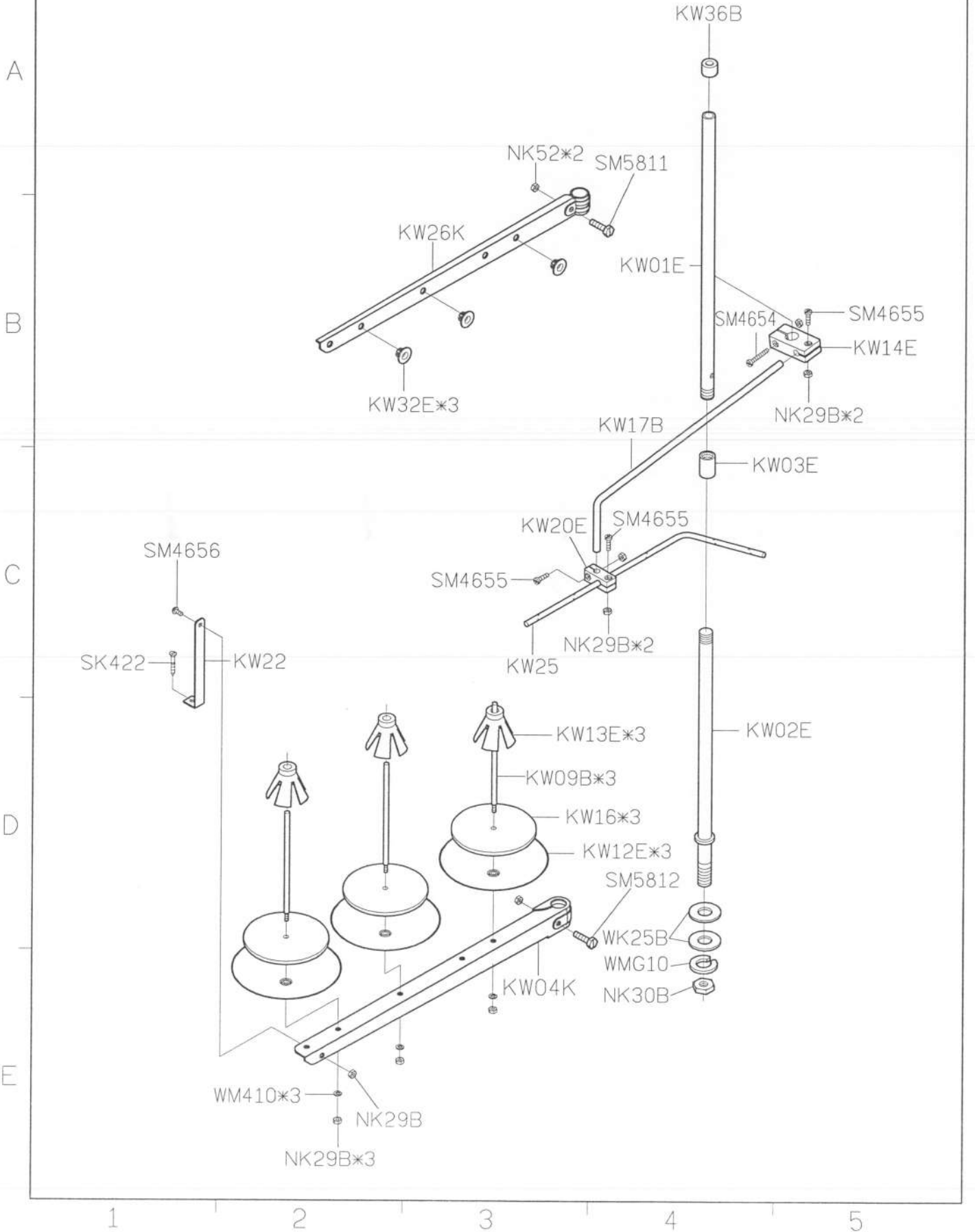
3

4

5

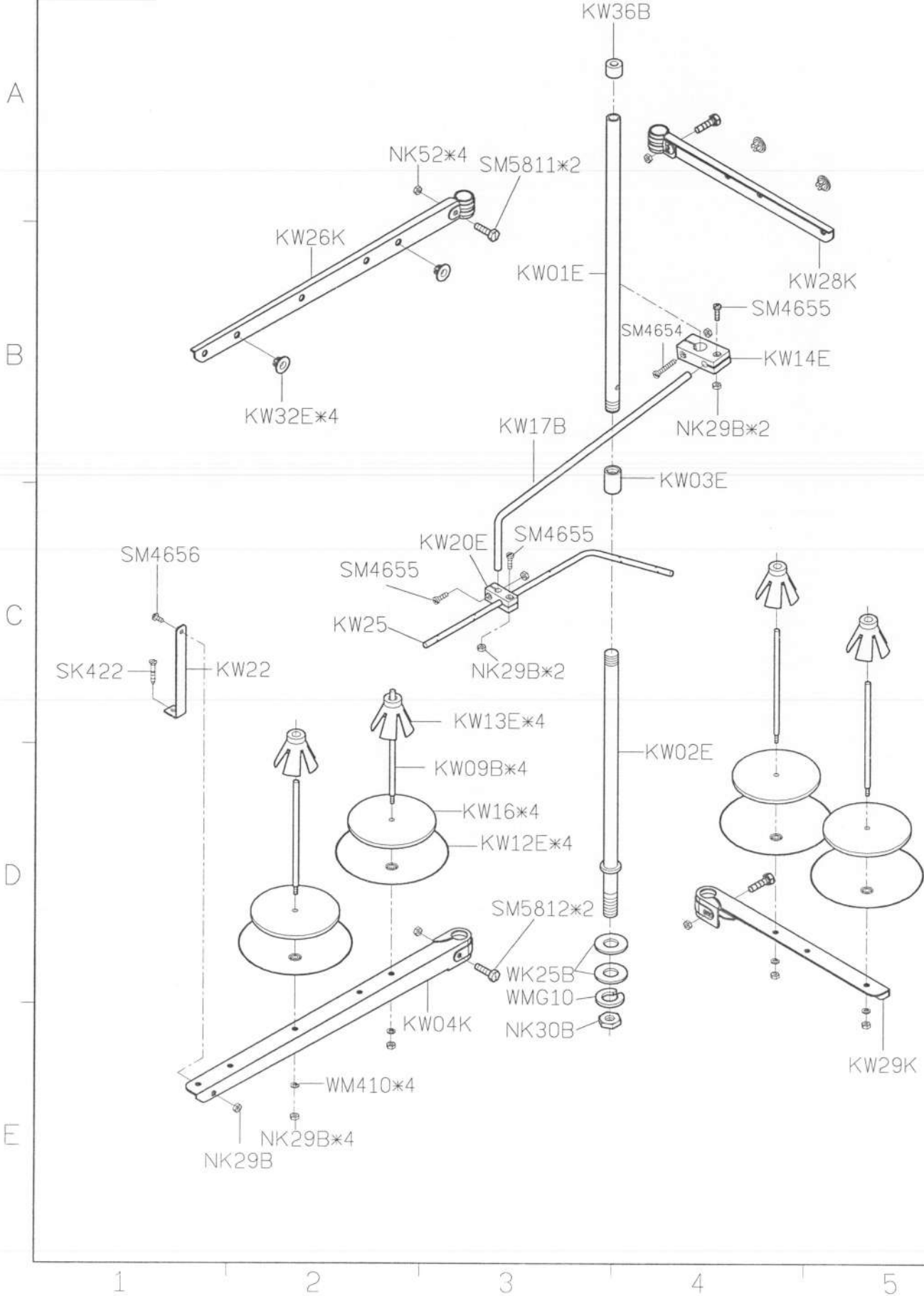
SIRUBA PARTS LIST	Series	Parts Group	Subclass / Remark	Page
	拷克	KW		1/4
	Overlock			Date
	含MO6800系列			2017/2/20

KW40E-3



<b>SIRUBA</b> PARTS LIST	Series	Parts Group	Subclass / Remark	Page
	拷克	<b>KW</b>		2/4
	Overlock			Date
	含MO6800系列			2017/2/20

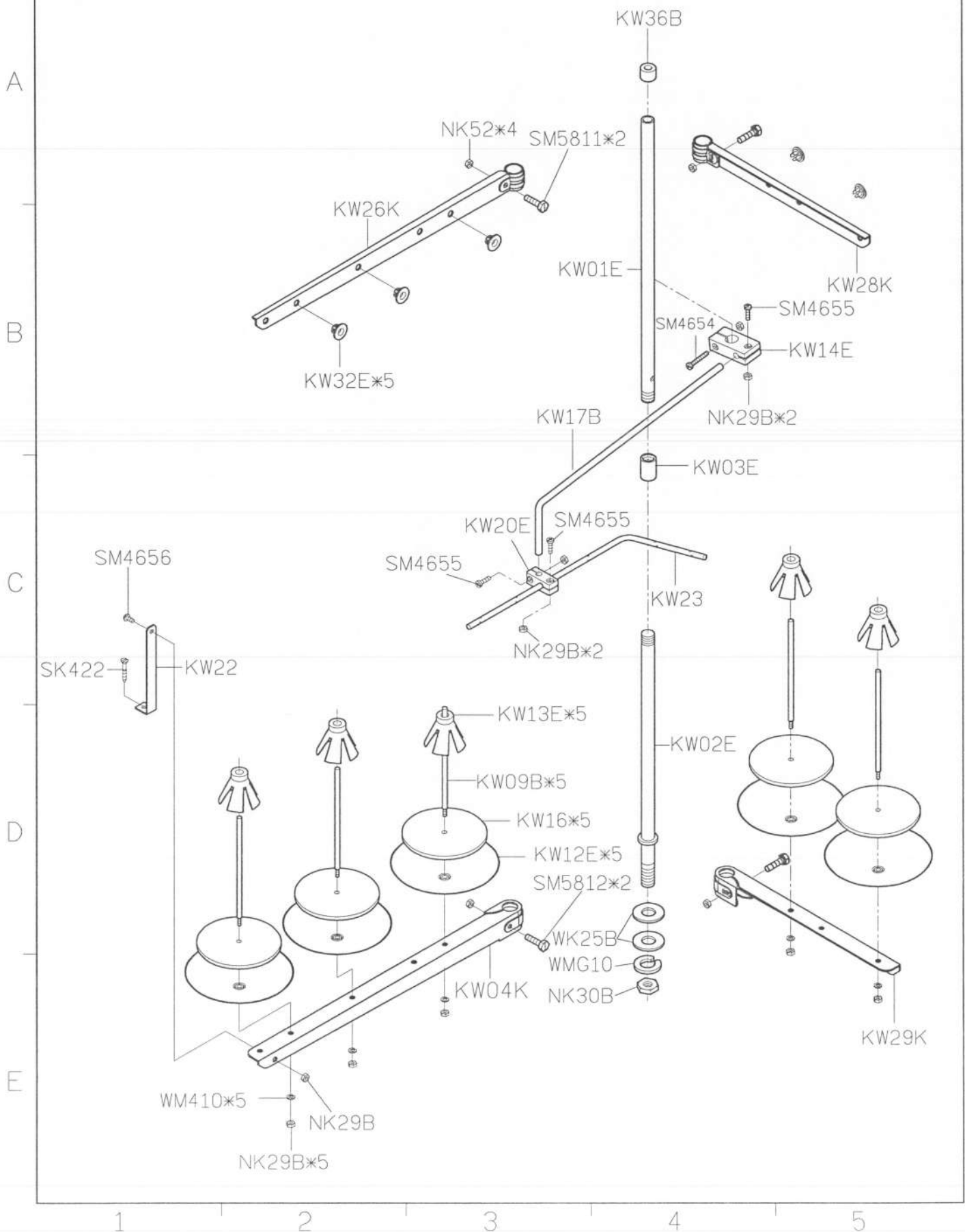
KW40E-4





<b>SIRUBA</b> PARTS LIST	Series	Parts Group	Subclass / Remark	Page
	拷克	<b>KW</b>		3/4
	Overlock			Date
	含MO6800系列			2017/2/20

KW40E-5



SIRUBA PARTS LIST	Series	Parts Group	Subclass / Remark	Page
	拷克	KW		4/4
	Overlock			Date
	含MO6800系列			2017/2/20

KW40E-6

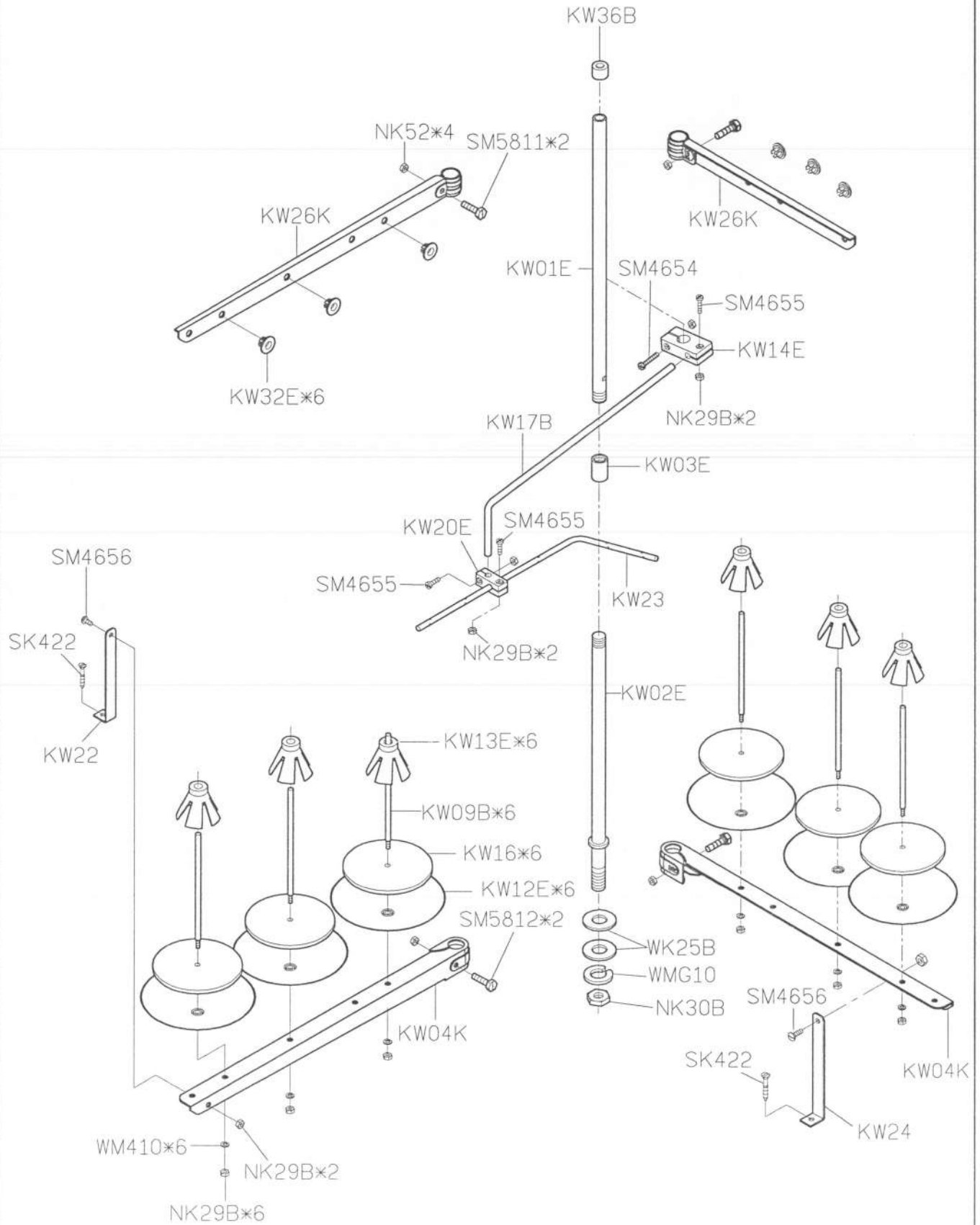
A

B

C

D

E



1

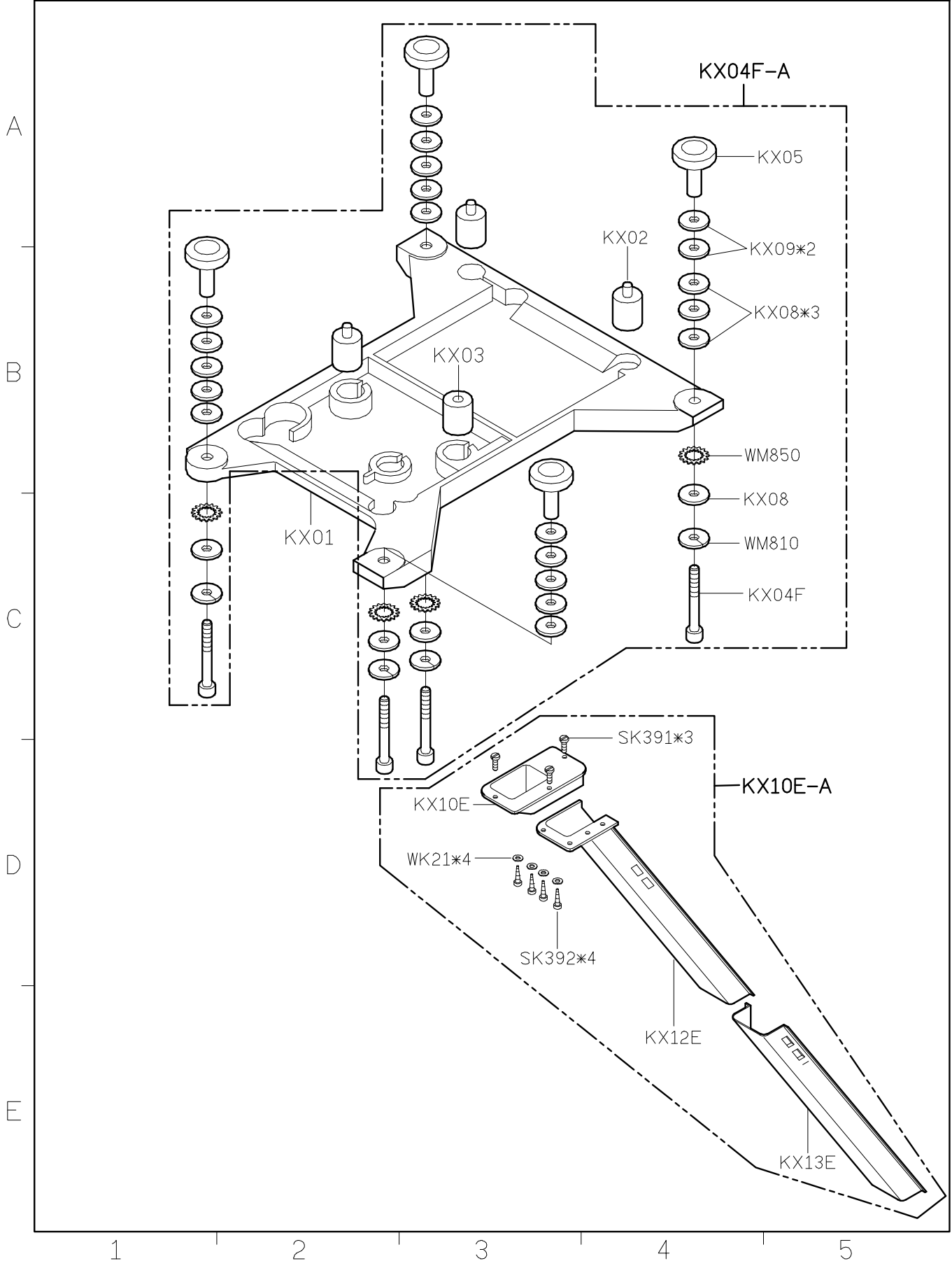
2

3

4

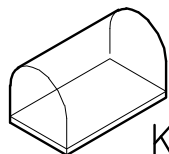
5

SIRUBA PARTS LIST	Series	Parts Group	Subclass / Remark	Page
	700F	KX		1/1
				Date
				2013/08/10

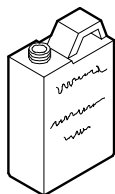


SIRUBA PARTS LIST	Series	Parts Group	Subclass / Remark	Page
	700F	KY		1/1
				Date
				2013/09/10

KY01  
防塵罩



KY02-A  
油罐



KY03  
油壺



KY04  
漏斗



KY05  
油壺

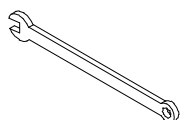


KY23-A

KY23  
內六角板手



KY09  
開口板手

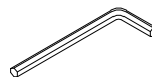


KY10  
六角板手



KY10-A

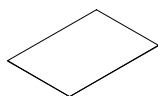
KY11  
六角板手



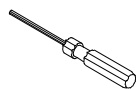
KY12  
六角板手



KY30  
針板紙



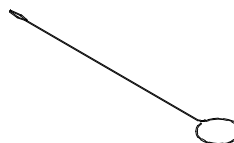
KY14  
內六角螺絲起子



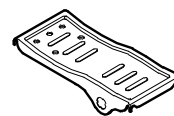
KY18  
鑷子



KY19  
穿線器



KY20D-A  
腳踏板



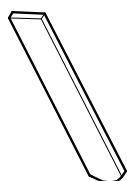
KY21-A/MY21  
鉤子 / 鍊條



KY201  
工具袋



KR35  
下刀片



KT14-A  
濾油器



KZ03  
乾燥劑



SK216  
螺絲



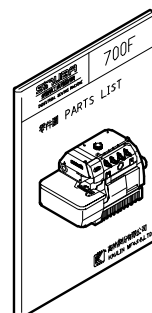
MY11  
六角板手



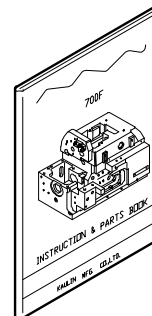
針\*4



KZ08F  
零件圖

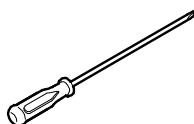


KZ08F-2  
使用說明書



LY33-A

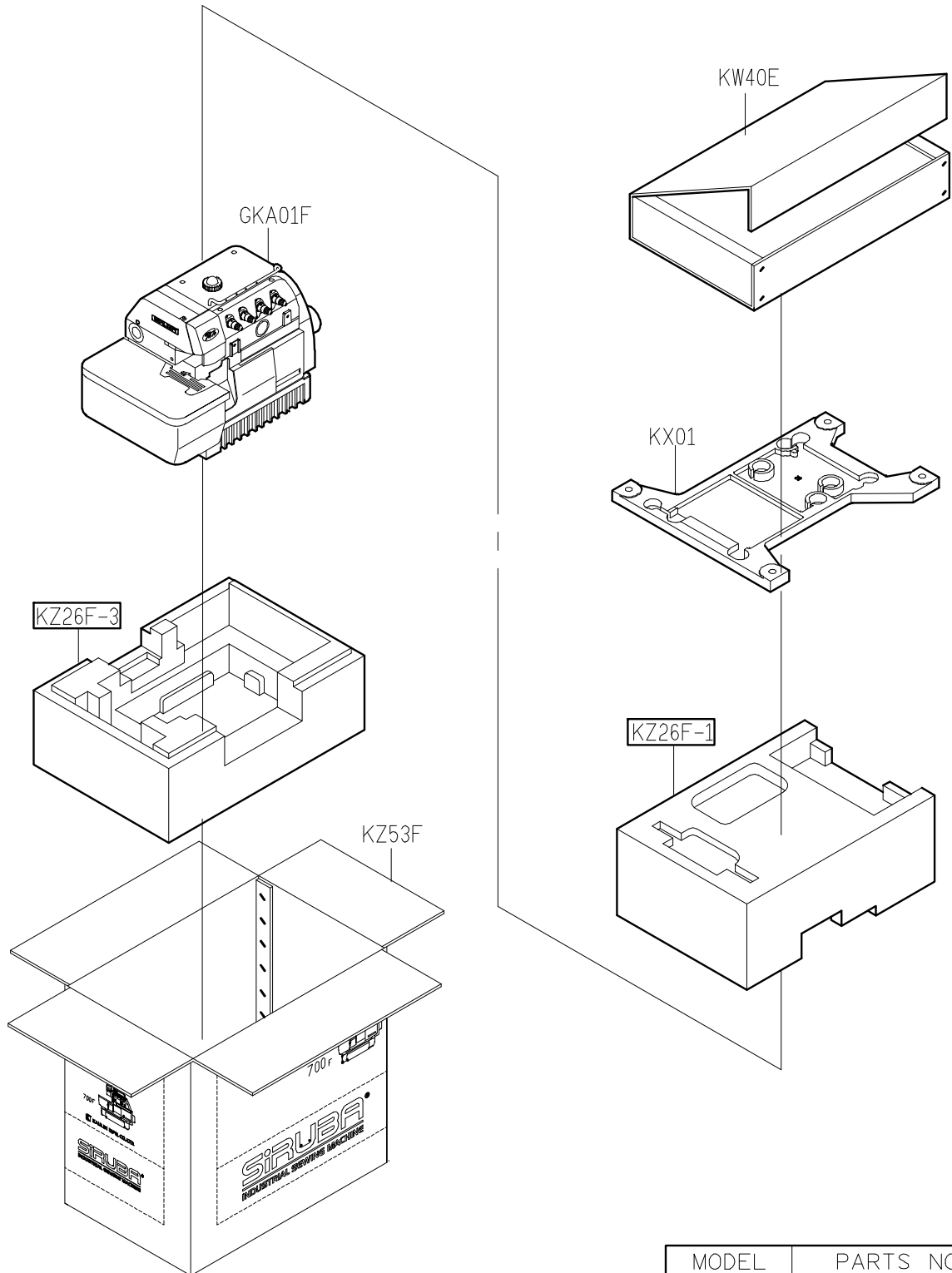
LY33  
一字起子



LY34  
一字起子



<b>SIRUBA</b> PARTS LIST	Series	Parts Group	Subclass / Remark	Page
	<b>700F</b>	<b>KZ</b>		1/1
				Date
				2013/08/10



MODEL	PARTS NO	
700F	KZ26F-1	KZ26F-3
700F-LFC	KZ51F	KZ36E

1

2

3

4

5

**SIRUBA**  
TABLE  
CUT - OUT

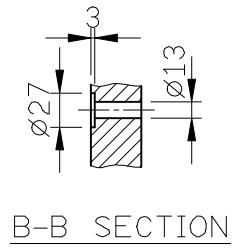
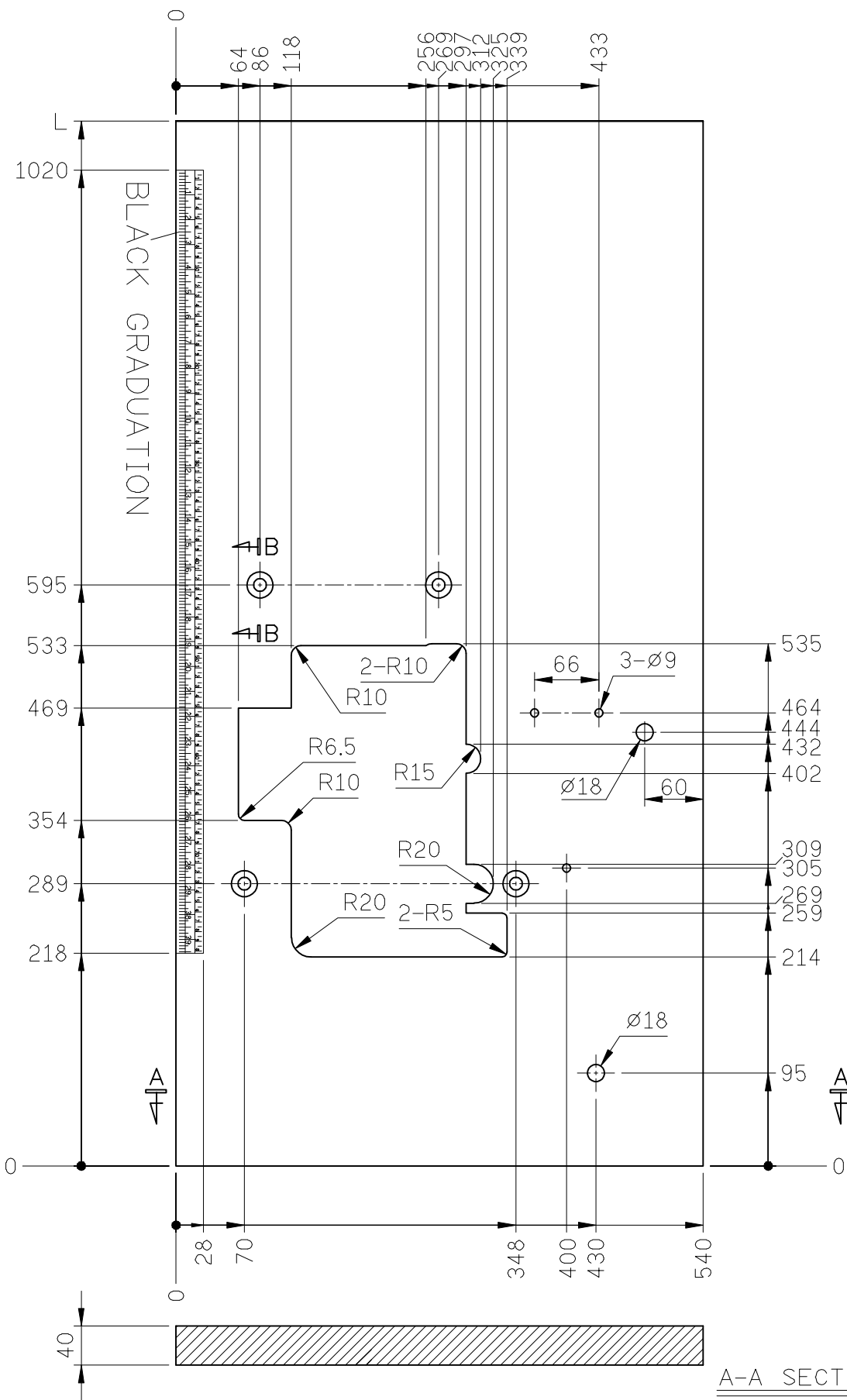
Series  
**700F/UX/DFT**  
**DRT/600K/KD**

Item Code  
**747-T**

Subclass Remark

Mounting  
Non-submerged  
Date  
**2015/03/24**

單位/UNIT:mm  
所有尺寸公差/TOLERANCE:±2  
長度(L):1070/  
重量(W):10.5kg±5%  
長度(L):1200/  
重量(W):11.5kg±5%



A-A SECTION

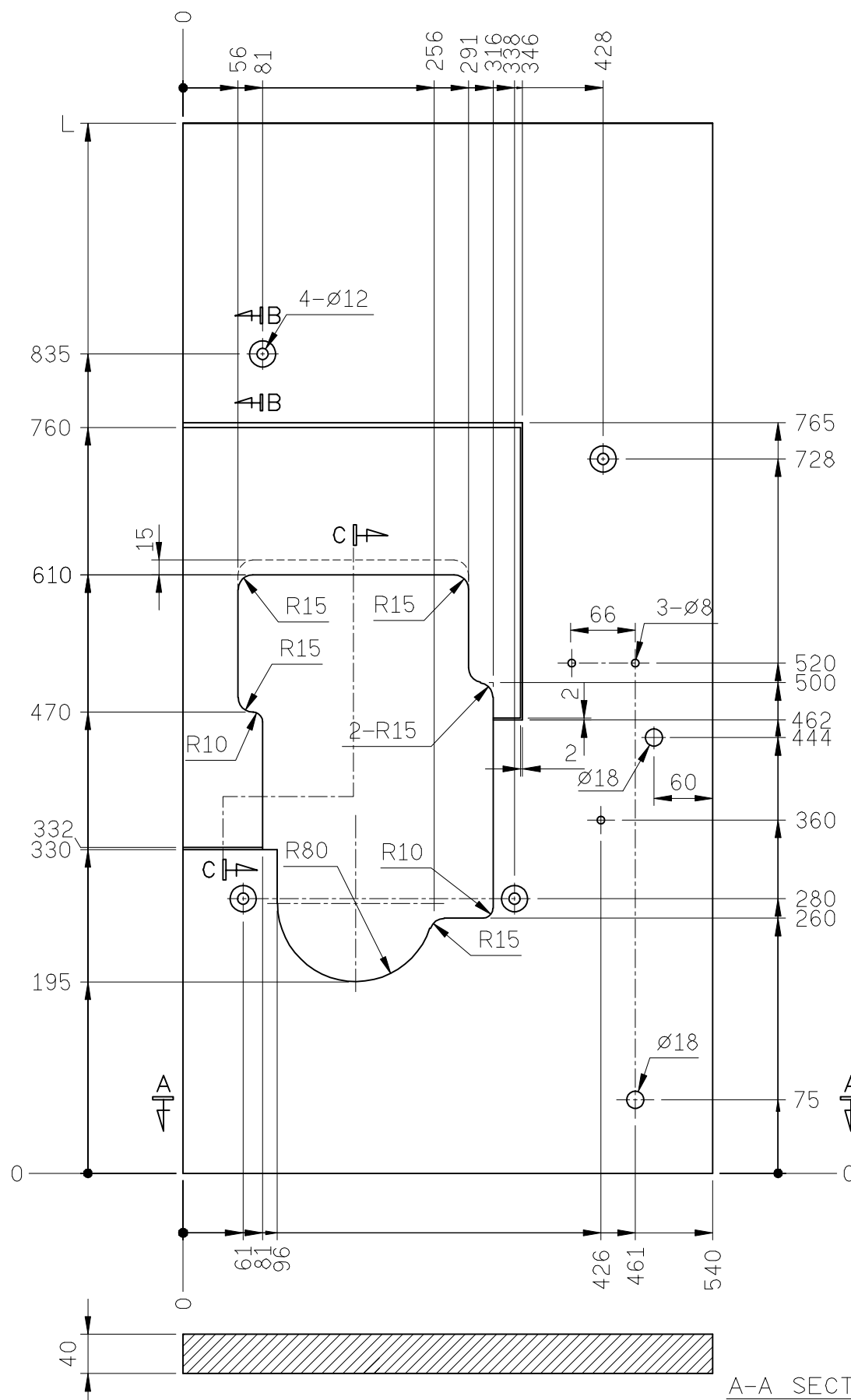
**SIRUBA**  
TABLE  
CUT - OUT

Series  
**700F/UX/DFT**  
**DRT/600K/KD**

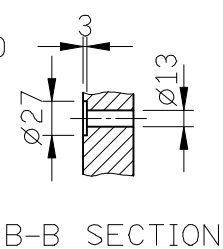
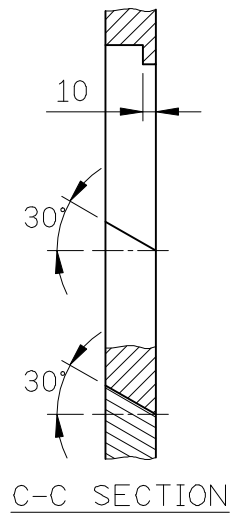
Item Code  
**747-T1**

Subclass Remark  
需配TB-A  
600K/KD需配TB-A1

Mounting  
**Fully-submerged**  
Date  
**2015/04/07**



單位/UNIT:mm  
所有尺寸公差/TOLERANCE:±2  
長度(L):1070/  
長度(L):1200/  
重量(W):10.5kg±5%  
重量(W):11.4kg±5%



A-A SECTION